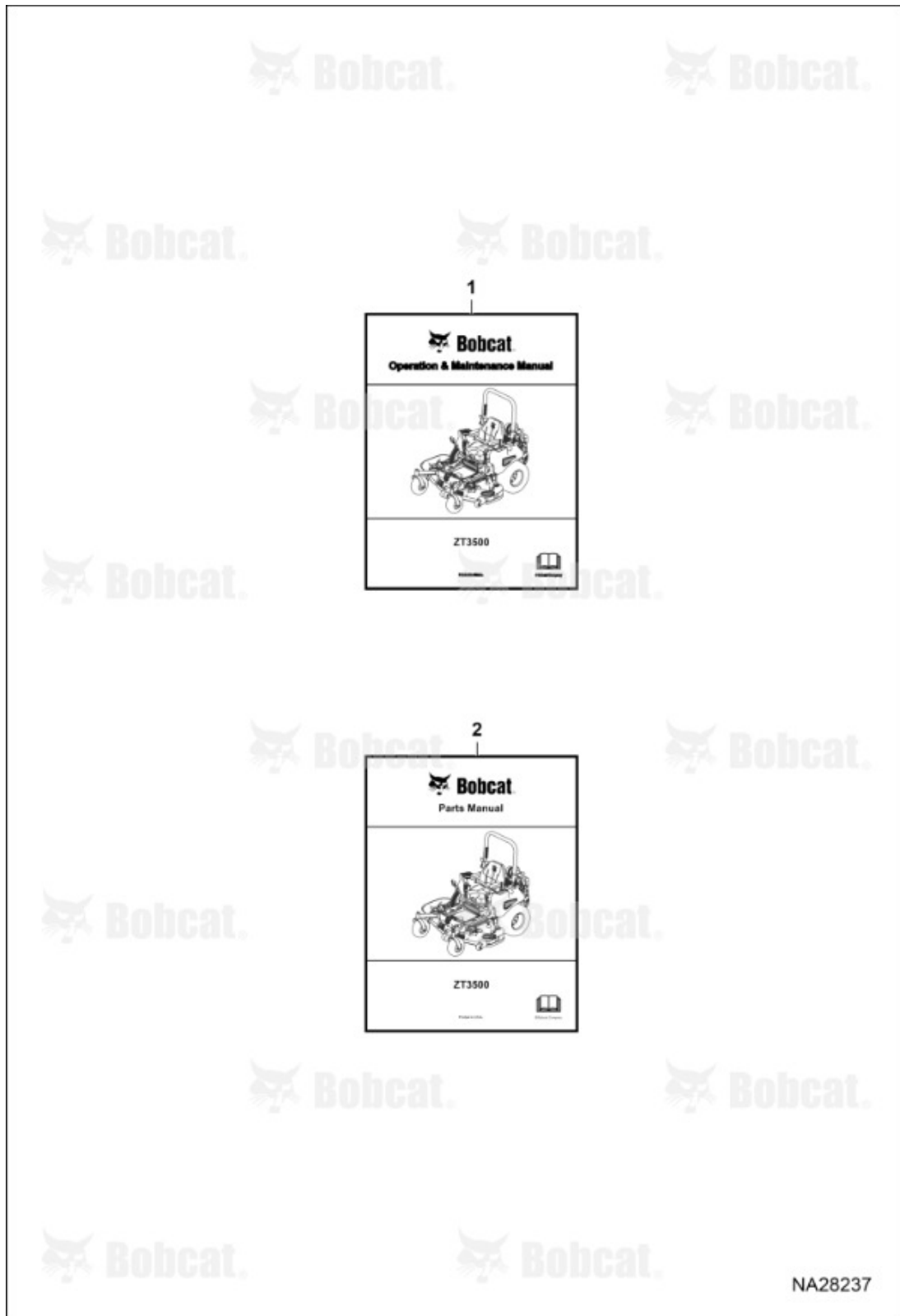


Title: Maintenance Items (Literature)

Model Number: ZT3500

Serial Number: B6J611001 & Above



Title: Maintenance Items (Literature)

Model Number: ZT3500

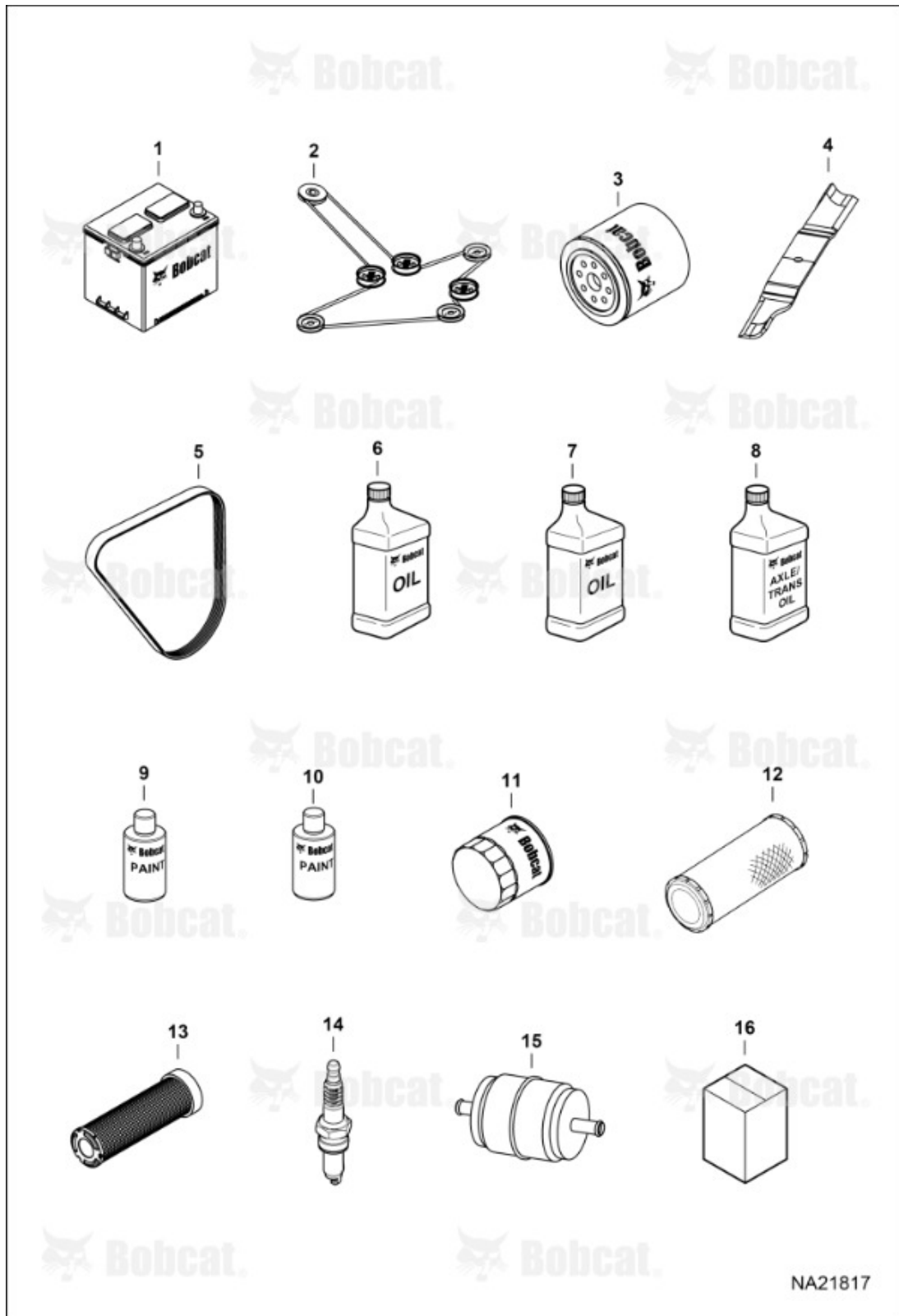
Serial Number: B6J611001 & Above

Ref #	Part #	Description	S/N	Qty
1	46892059ENUS	OM ZT3500 MWR		1
1	46892059ESAR	MANUAL OPERATION & MAINTENANCE, Spanish		1
1	46892059FRCA	MANUAL OPERATION & MAINTENANCE, French-Canadian		1
2	46906114	MANUAL PARTS ZT3500		1

Title: Maintenance Items (Service Parts)

Model Number: ZT3500

Serial Number: B6J611001 & Above



NA21817

Title: Maintenance Items (Service Parts)

Model Number: ZT3500

Serial Number: B6J611001 & Above

Ref #	Part #	Description	S/N	Qty
1	46979478	BATTERY 190CCA WITH DECAL, Was 4171099, A		1
1	46897426	BATTERY AGM 300CCA		1
2	4169566	BELT DECK 48 IN, 48" NA		1
2	7503240	BELT DECK 48 IN, 48" EMEA models		1
2	4169640	BELT DECK 52 IN, 52" NA		1
2	7503241	BELT DECK 52 IN, 52" EMEA		1
2	4163569	BELT HB, 61" NA		1
2	7503242	BELT DECK 61 IN, 61" EMEA		1
3	4142045-06	FILTER TRANSAXLE		2
4	112111-01	BLADE 16.25 OFFSET HI-LIFT, 48"		3
4	2722543-01	BLADE 16.25 ELIMINATOR, 48" Mulch		3
4	112243-02	BLADE ASSEMBLY, 52"		3
4	2722543-02	BLADE 18.00 ELIMINATOR, 52" Mulch		3
4	112243-03	BLADE MOWER, 61"		3
4	2722543-03	BLADE 21.00 ELIMINATOR, 61" Mulch		3
5	4143636	BELT TRANSAXLE		1
6	7354875	OIL 10W30 QT 12		x
6	X7354875	OIL 10W30 QT, NLA		x
7	46995505	MOTOR OIL 10W40 12 QT		x
7	46995505UD1	MOTOR OIL 10W40 QT		x
8	7354881	OIL 15W40 QT 12, Transaxle Fluid		x
8	7354882	OIL 15W40 GAL 6, Transaxle Fluid		x
8	7354882PK	OIL 15W40 GAL 216		x
9	6736642	PAINT, WHITE .5 OZ		x
9	6902230	PAINT, WHITE SPRAY CAN 6		x

Title: Maintenance Items (Service Parts)

Model Number: ZT3500

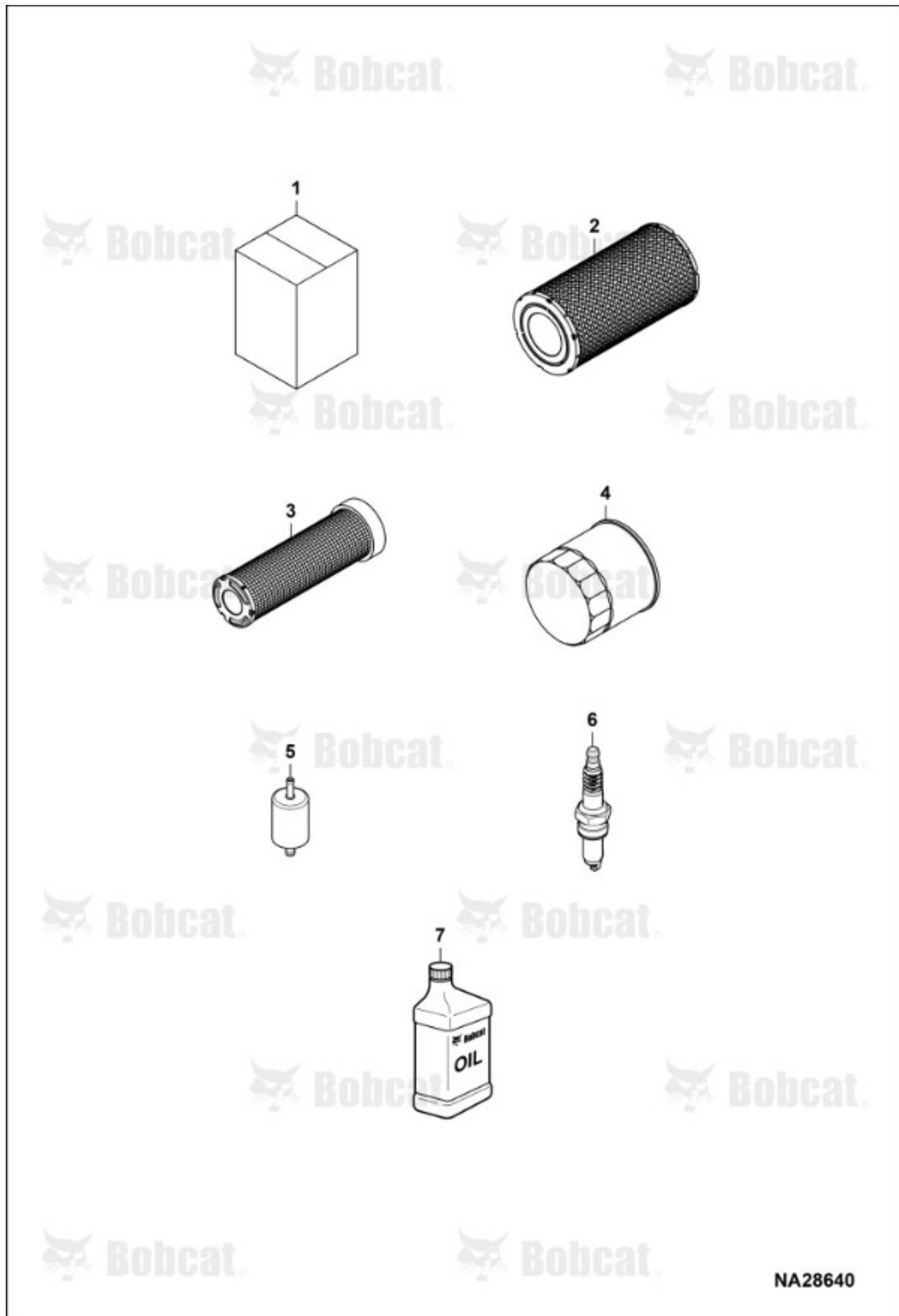
Serial Number: B6J611001 & Above

Ref #	Part #	Description	S/N	Qty
9	6902235	PAINT, WHITE QT 6		x
10	7305843	PAINT ORANGE .5 OZ		x
10	7305844	PAINT ORANGE SPRAY CAN 6		x
10	7305845	PAINT ORANGE QT 6		x
10	6736641	PAINT, CHARCOAL .5 OZ		x
10	6902229	PAINT, CHARCOAL SPRAY CAN 6		x
10	6902234	PAINT, CHARCOAL QT 6		x
11	46950394	FILTER OIL, Was 7463097, A		1
12	6672467	FILTER AIR OUTER		1
13	6672468	FILTER AIR INNER		2
14	7457772	PLUG SPARK		1
15	7457774	FILTER FUEL		1
16	46984570	KIT MAINTENANCE SERVICE, NLA - Order 46950400 - Was 7461872, A		1

Title: Maintenance Items (Service Items)

Model Number: ZT3500

Serial Number: B6J611001 & Above



Title: Maintenance Items (Service Items)

Model Number: ZT3500

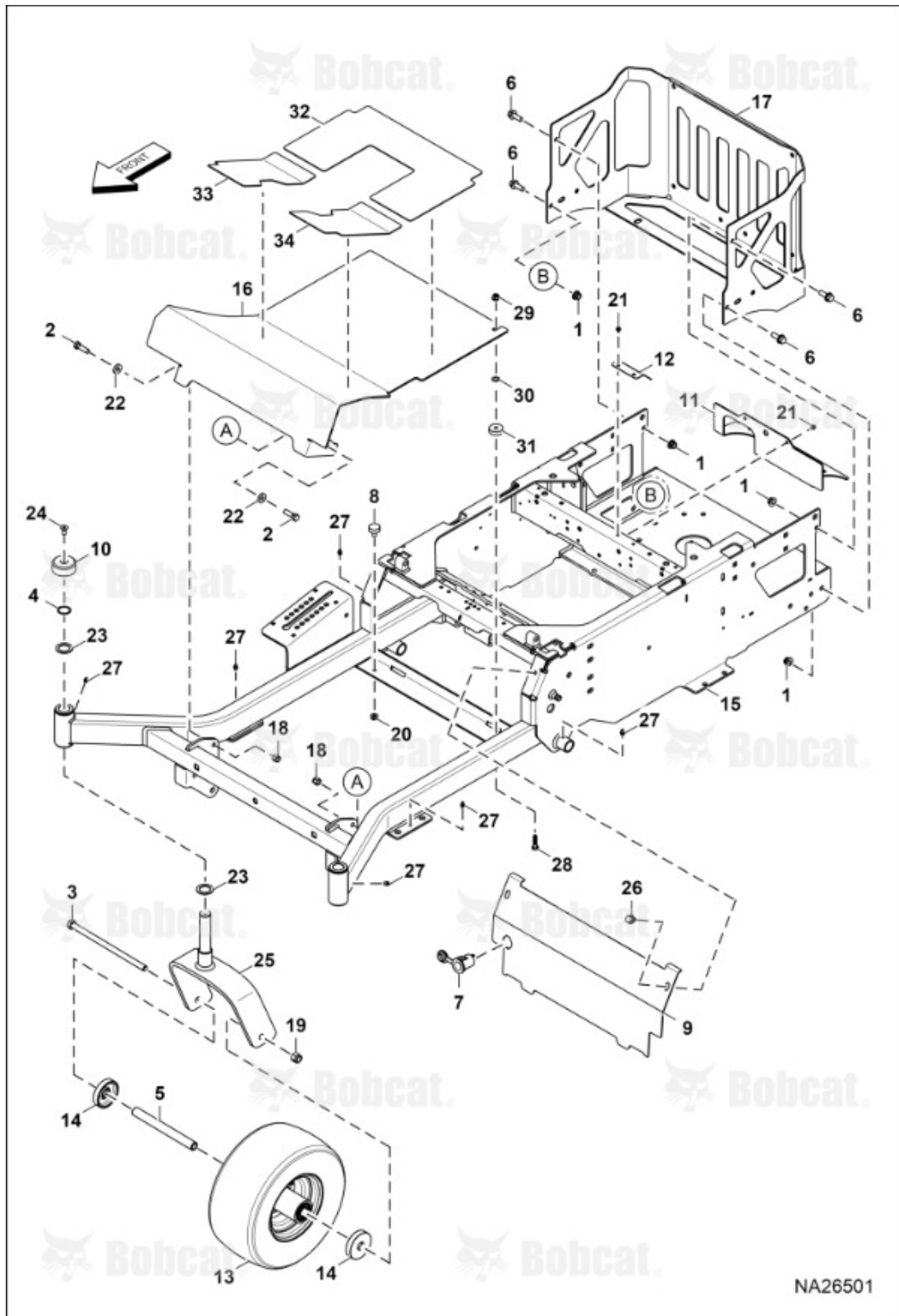
Serial Number: B6J611001 & Above

Ref #	Part #	Description	S/N	Qty
1	46950400	KIT MOWER MAINTENANCE, W/Ref. 2-7		1
2	46950396	FILTER AIR		1
3	46950397	FILTER AIR		1
4	46950394	FILTER OIL		1
5	7457774	FILTER FUEL		1
6	46950392	PLUG SPARK		1
7	46995505UD1	MOTOR OIL 10W40 QT		2

Title: Frame Assembly (48"/52")

Model Number: ZT3500

Serial Number: B6J611001 & Above



Title: Frame Assembly (48"/52")

Model Number: ZT3500

Serial Number: B6J611001 & Above

Ref #	Part #	Description	S/N	Qty
1	11D6	NUT LOCK HEX NYLON		6
2	1C620	SCREW HEX CAP		2
3	1C8152	SCREW HEX HEAD		2
4	21J16	SNAP RING		2
5	2722230-08	SHAFT WHEEL		2
6	35C616	SCREW FLANGED HEAD CAP		6
7	4142266	CONNECTOR RECEPTACLE		1
8	4143354	BUMPER SEAT MOUNTING		2
9	7524928.45	PLATE FRONT COVER, EMEA models only		1
10	4171802	CAP CASTER ASSEMBLY		2
11	4174731.46	FRAME GUARD		1
12	4174901.46	BRACKET TANK		1
13	4178398	WHEEL ASSEMBLY 13X6.50-6		2
14	4178415	COVER DUST		4
15	7524922.45	FRAME 48 IN & 52 IN		1
16	4178947	PLATE FOOT		1
17	4179336.41	BUMPER REAR		1
18	59D6	NUT LOCK HEX NYLON		2
19	59D8	NUT LOCK HEX NYLON		2
20	64141-6	NUT HEX		2
21	64152-23	SCREW MACHINE		4
22	64163-46	WASHER FLAT		2
23	64163-64	WASHER FLAT		4
24	64272-04	SCREW HEX		2
25	7515475.46	YOKE CASTER WELDMENT		2

Title: Frame Assembly (48"/52")

Model Number: ZT3500

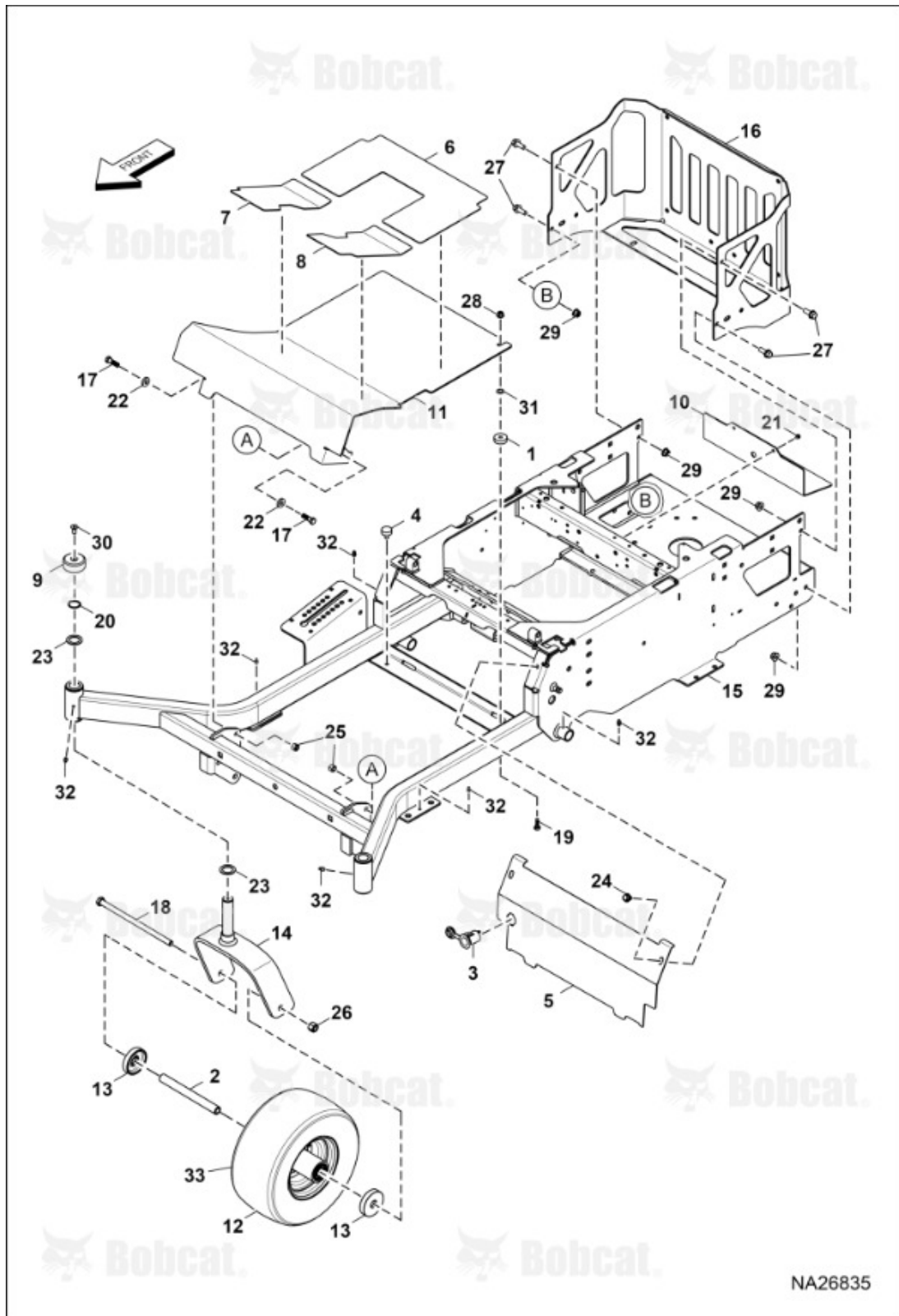
Serial Number: B6J611001 & Above

Ref #	Part #	Description	S/N	Qty
26	84G3708	SCREW		2
27	85010N	ZERK FITTING		6
28	1C520	BOLT, Was PN 64123-47, A		1
29	11D5	NUT LOCK HEX NYLON, Was 64268-02, A		4
30	64279-02	PUSHNUT BOLT RETAINER		4
31	2720975-07	SPACER NYLON		4
32	4165931	MAT FOOTPLATE		1
33	4167087	MAT FOOTPLATE		1
34	4167088	MAT FOOTPLATE		1

Title: Frame Assembly (61")

Model Number: ZT3500

Serial Number: B6J611001 & Above



Title: Frame Assembly (61")

Model Number: ZT3500

Serial Number: B6J611001 & Above

Ref #	Part #	Description	S/N	Qty
1	2720975-07	SPACER NYLON		1
2	2722230-08	SHAFT WHEEL		2
3	4142266	CONNECTOR RECEPTACLE		1
4	4143354	BUMPER SEAT MOUNTING		1
5	7524928.45	PLATE FRONT COVER, EMEA models only		1
6	4165931	MAT FOOTPLATE		1
7	4167087	MAT FOOTPLATE		1
8	4167088	MAT FOOTPLATE		1
9	4171802	CAP CASTER ASSEMBLY		2
10	7533752.46	FRAME GUARD		1
11	4178947	PLATE FOOT		1
12	4178398	WHEEL ASSEMBLY 13X6.50-6		2
13	4178415	COVER DUST		4
14	4178613.46	CASTER WELDMENT		2
15	7524923.45	FRAME 61 IN		1
16	4179336.41	BUMPER REAR		1
17	1C620	SCREW HEX CAP, Was PN 64123-16, A		2
18	1C8152	SCREW HEX HEAD, Was PN 64123-221, A		2
19	1C516	BOLT, Was PN 64123-68, A		1
20	21J16	SNAP RING, Was PN 64144-24, A		2
21	64152-23	SCREW MACHINE		2
22	64163-46	WASHER FLAT		2
23	64163-64	WASHER FLAT		4
24	84G3708	SCREW, Was PN 64197-016, A		2
25	59D6	NUT LOCK HEX NYLON, Was 64229-03 , A		2

Title: Frame Assembly (61")

Model Number: ZT3500

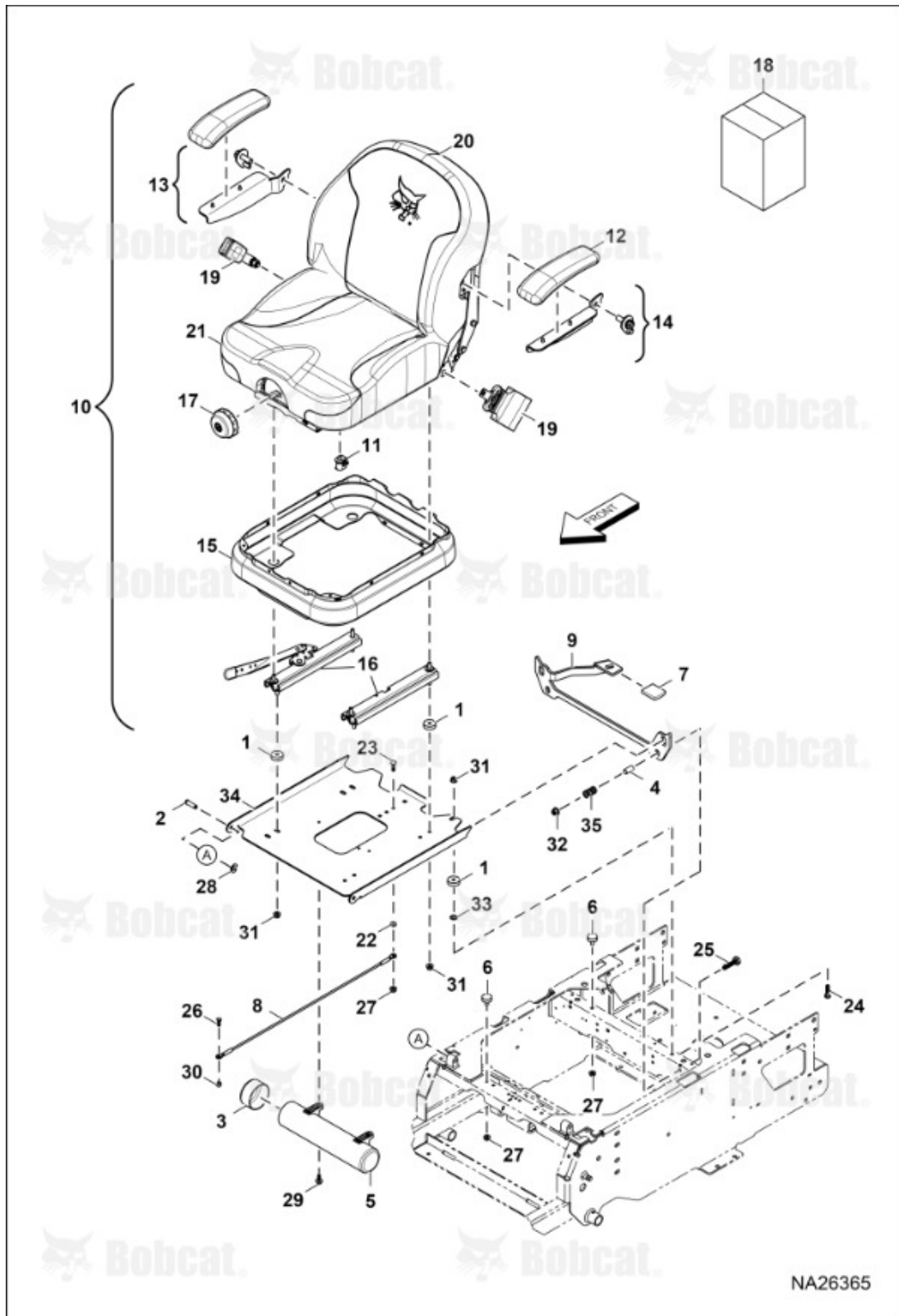
Serial Number: B6J611001 & Above

Ref #	Part #	Description	S/N	Qty
26	59D8	NUT LOCK HEX NYLON, Was PN 64229-05, A		2
27	35C616	SCREW FLANGED HEAD CAP, Was PN 64262-011, A		6
28	11D5	NUT LOCK HEX NYLON, Was 64268-02, A		1
29	11D6	NUT LOCK HEX NYLON, Was PN 64268-03, A		6
30	64272-04	SCREW HEX		2
31	64279-02	PUSHNUT BOLT RETAINER		1
32	85010N	ZERK FITTING		6
33	2722326-01	TIRE SMOOTH 13X6.5-6		2

Title: Seat Assembly (EMEA)

Model Number: ZT3500

Serial Number: B6J611001 & Above



Title: Seat Assembly (EMEA)

Model Number: ZT3500

Serial Number: B6J611001 & Above

Ref #	Part #	Description	S/N	Qty
1	2720975-07	SPACER NYLON		5
2	7508146	PIN CLEVIS, Was PN 33138-09, A		2
3	38061A	CAP VINYL		1
4	516544	BUSHING PLATED		2
5	4129802	HOLDER HANDBOOK		1
6	4143354	BUMPER SEAT MOUNTING		3
7	4167151	HANDLE GRIP		1
8	4171100	CABLE TETHER		1
9	4175228.46	BRACKET LATCH		1
10	4178567	SEAT SUSPENSION		1
11	4124009	SWITCH SEAT		0
12	4165316-02	PAD ARM SINGLE		0
13	4169174-02	KIT ARM RH		0
14	4169174-03	KIT ARM LH		0
15	4169768-03	BASE SEAT		0
16	4169768-04	SLIDER SEAT, includes LH & RH		0
17	4169768-05	KNOB ADJUST		0
18	4169768-08	KIT ARM LH AND RH		0
19	4175334-03	KIT SEAT BELT		0
20	4178930	COVER BACK VINYL		0
21	4178932	COVER CUSHION		0
22	64001-13	NUT HEX		1
23	64018-42	BOLT CARRIAGE		1
24	1C520	BOLT, Was PN 64123-47, A		1
25	1C628	BOLT, Was PN 64123-87, A		2

Title: Seat Assembly (EMEA)

Model Number: ZT3500

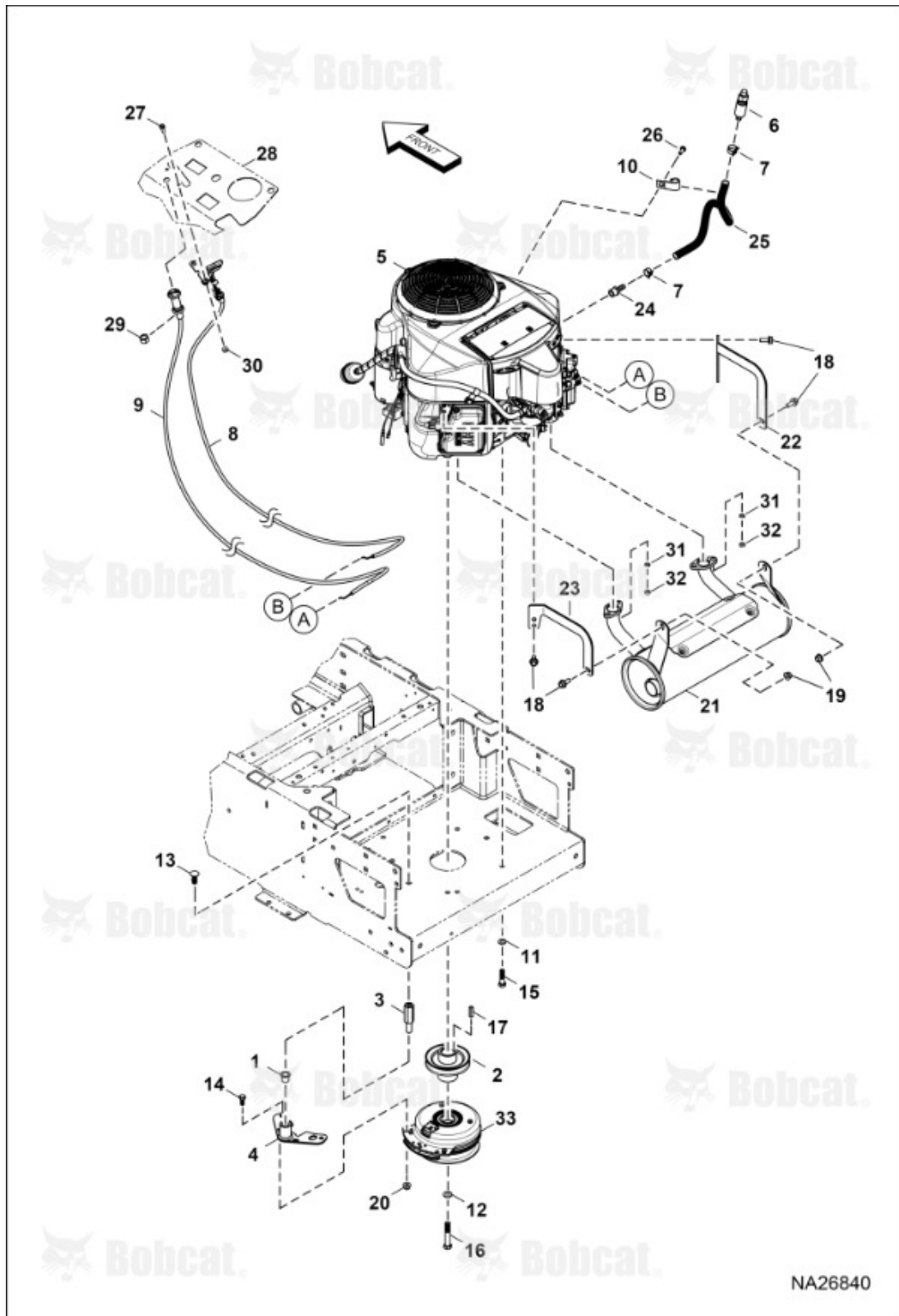
Serial Number: B6J611001 & Above

Ref #	Part #	Description	S/N	Qty
26	64123-89	BOLT HEX		1
27	64141-6	NUT HEX		4
28	7508319	RING RETAINER, Was PN 64144-30, A		2
29	64197-002	BOLT HEX		2
30	59D4	NUT LOCK HEX NYLON, Was PN 64229-01, A		1
31	11D5	NUT LOCK HEX NYLON, Was 64268-02, A		5
32	11D6	NUT LOCK HEX NYLON, Was PN 64268-03, A		2
33	64279-02	PUSHNUT BOLT RETAINER		1
34	7525051.46	BRACKET SEAT		1
35	41-053	SPRING COMPRESSION		2

Title: Engine & Muffler (EMEA)

Model Number: ZT3500

Serial Number: B6J611001 & Above



Title: Engine & Muffler (EMEA)

Model Number: ZT3500

Serial Number: B6J611001 & Above

Ref #	Part #	Description	S/N	Qty
1	38304-03	BEARING PLASTIC		1
2	4163309	PULLEY ENGINE		1
3	4169106	PIN CLUTCH		1
4	4173452.46	CLUTCH STOP WELDMENT		1
5	4178809	ENGINE FT730V EFI		1
5	2188224	HARNESS JUMPER		1
6	4164251	VALVE DRAIN		1
7	7508593	CLAMP HOSE		2
8	118020-23	CONTROL THROTTLE, Includes throttle cable.		1
9	108009-03	CABLE CHOKE		1
10	48412-01	CLIP CABLE		1
11	4E6	WASHER, Was PN 64006-03, A		4
12	64006-06	WASHER LOCK		1
13	10C616	BOLT SHRT SQ NK RHD 3/8-16X1 GRD 5, Was PN 64018-44, A		1
14	1C512	SCREW HEX CAP, Was PN 64123-54, A		2
15	1C624	SCREW HEX CAP, Was PN 64123-70, A		4
16	2C740	SCREW HEX CAP, Was PN 64123-78, A		1
17	64164-12	KEY SQUARE		1
18	29CM820	SCREW HEX FLANGE, Was PN 64263-007, A		6
19	64266-02	NUT LOCK		2
20	11D5	NUT LOCK HEX NYLON, Was 64268-02, A		2
21	7498347	MUFFLER ENGINE		1
22	7514858.46	BRACKET EXHAUST		1
23	7515035.46	BRACKET EXHAUST		1
24	4164252-001	FITTING BARBED STRAIGHT		1

Title: Engine & Muffler (EMEA)

Model Number: ZT3500

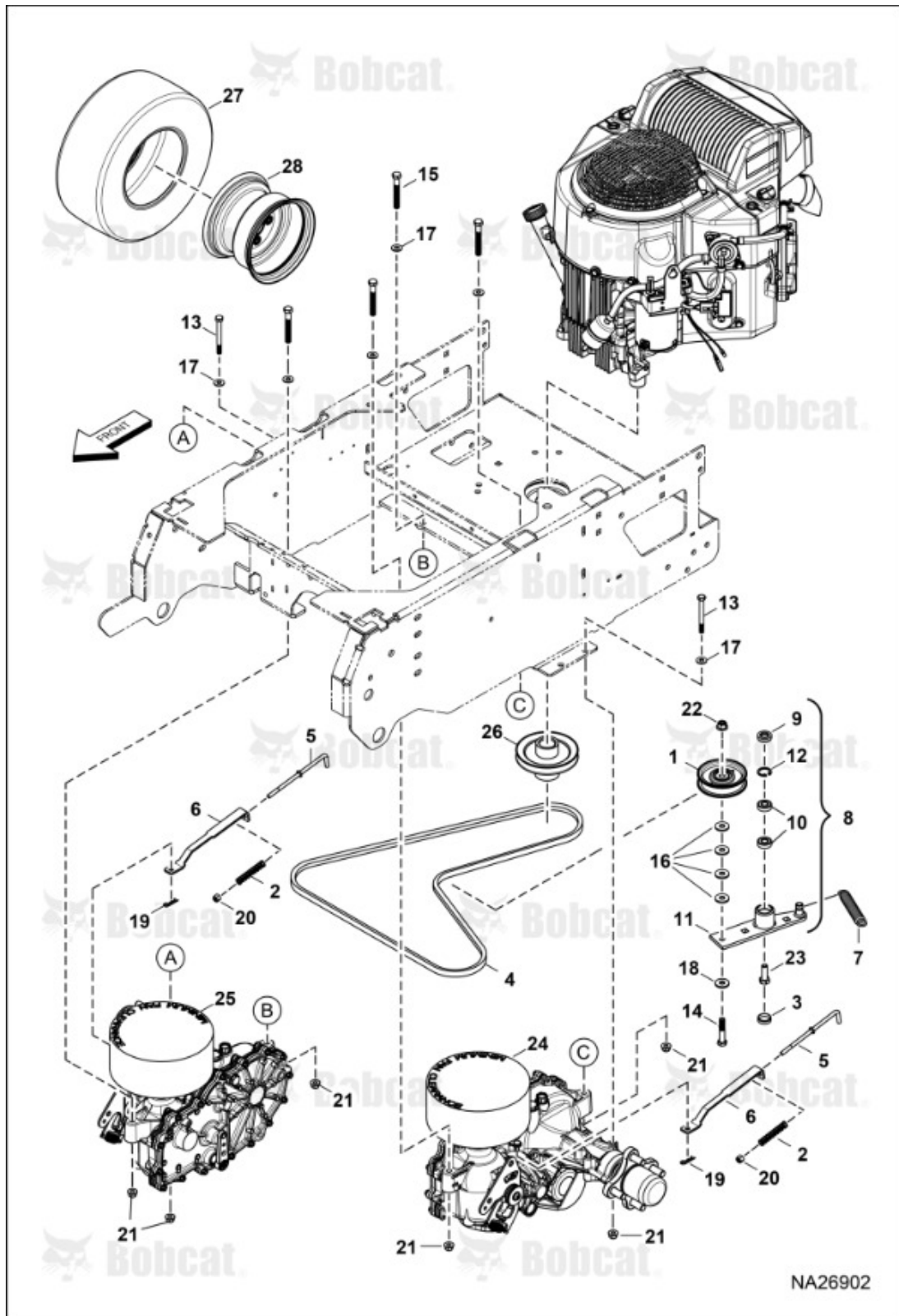
Serial Number: B6J611001 & Above

Ref #	Part #	Description	S/N	Qty
25	7533340	HOSE FUEL OIL, NLA - 305 mm (12") - Order 69053		1
25	69053	HOSE FORMED, sold per foot		x
26	64123-89	BOLT HEX		2
27	64152-46	SCREW HEX HEAD		2
28	4178843.46	PANEL CONTROL		1
29	62D6	NUT HEX, Was PN 64025-04, A		1
30	64025-15	NUT HEX		2
31	4E5	WASHER, Was PN 64006-02, A		4
32	4DM8	NUT HEX, Was PN 64207-01, A		2
33	7501225	CLUTCH ELECTRIC		1

Title: Rear Drive (Drive 3500)

Model Number: ZT3500

Serial Number: B6J611001 & Above



Title: Rear Drive (Drive 3500)

Model Number: ZT3500

Serial Number: B6J611001 & Above

Ref #	Part #	Description	S/N	Qty
1	2228016	PULLEY IDLER		1
2	2720977	SPRING COMPRESSION		2
3	4128001	CAP END		1
4	4143636	BELT TRANSAXLE		1
5	4148697	ROD CONTROL		2
6	4148698.46	LINK DUMP VALVE		2
7	4164128	SPRING TENSION		1
8	4178854	ARM IDLER ASSEMBLY		1
9	4128000	SEAL RING		1
10	4128004	BEARING BALL		2
11	4133304.46	FRAME 48 IN & 52 IN		1
12	64144-40	RING SNAP		1
13	35C640	BOLT 10, Was PN 64262-025, A		4
14	1C632	BOLT, Was PN 64123-67, A		1
15	64139-32	BOLT HEX		4
16	64163-31	WASHER FLAT		4
17	64163-55	WASHER FLAT		8
18	64163-61	WASHER FLAT		1
19	7508483	PIN COTTER, Was 64168-2, A		2
20	59D4	NUT LOCK HEX NYLON, Was PN 64229-01, A		2
21	11D5	NUT LOCK HEX NYLON, Was 64268-02, A		8
22	11D6	NUT LOCK HEX NYLON, Was PN 64268-03, A		1
23	64270-01	BOLT HEX		1
24	7444397	TRANSAXLE LH		1
25	7444398	TRANSAXLE RH		1

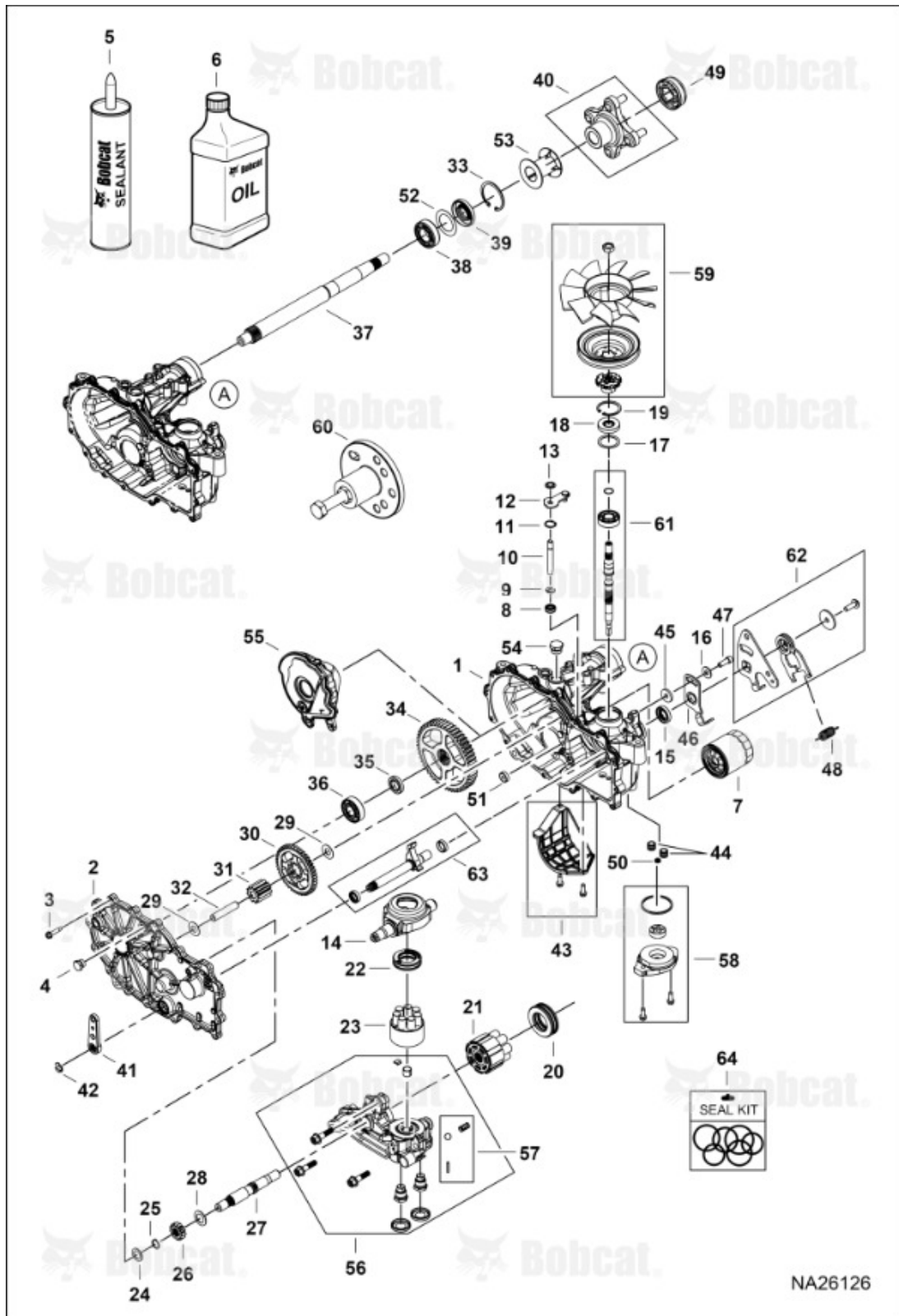
Title: Rear Drive (Drive 3500)

Model Number: ZT3500

Serial Number: B6J611001 & Above

Ref #	Part #	Description	S/N	Qty
26	4163309	PULLEY ENGINE		1
27	46888360	WHEEL ASSY 23X10.50-12 OTR ZERO-T II		2
27	46888385	TIRE 23X10.5-12 OTR ZERO-T II		2
28	46888379	RIM 12X8.5 ORANGE		2

Title: Transaxle Left  
Model Number: ZT3500  
Serial Number: B6J611001 & Above



Title: Transaxle Left  
 Model Number: ZT3500  
 Serial Number: B6J611001 & Above

Ref #	Part #	Description	S/N	Qty
1	7528750	KIT HOUSING		1
2	7528751	KIT COVER LH		1
3	7525210	SCREW HEX		16
4	7525209	PLUG VENT		1
5	7504362	SEALANT GASKET LIQUID		1
6	7354881	OIL 15W40 QT 12, Transaxle fluid		X
6	7354882	OIL 15W40 GAL 6, Transaxle fluid		X
6	7354882PK	OIL 15W40 GAL 216		X
7	4142045-06	FILTER TRANSAXLE		1
8	7525211	SEAL LIP		1
9	7504367	RING RETAINING		1
10	7525212	ROD BYPASS		1
11	7504366	RING RETAINING		1
12	7525213	ARM BYPASS		1
13	7525214	RING RETAINING		1
14	7525215	SWASHPLATE		1
15	7525216	SEAL LIP		1
16	7504359	WASHER FLAT		1
17	7525217	WASHER FLAT		1
18	7528557	SEAL LIP		1
19	7525219	RING RETAINING		1
20	7525220	BEARING BALL		1
21	7525221	KIT CYLINDER BLOCK		1
22	4164841-004	BEARING PLASTIC		1
23	4164841-003	KIT CYLINDER BLOCK		1

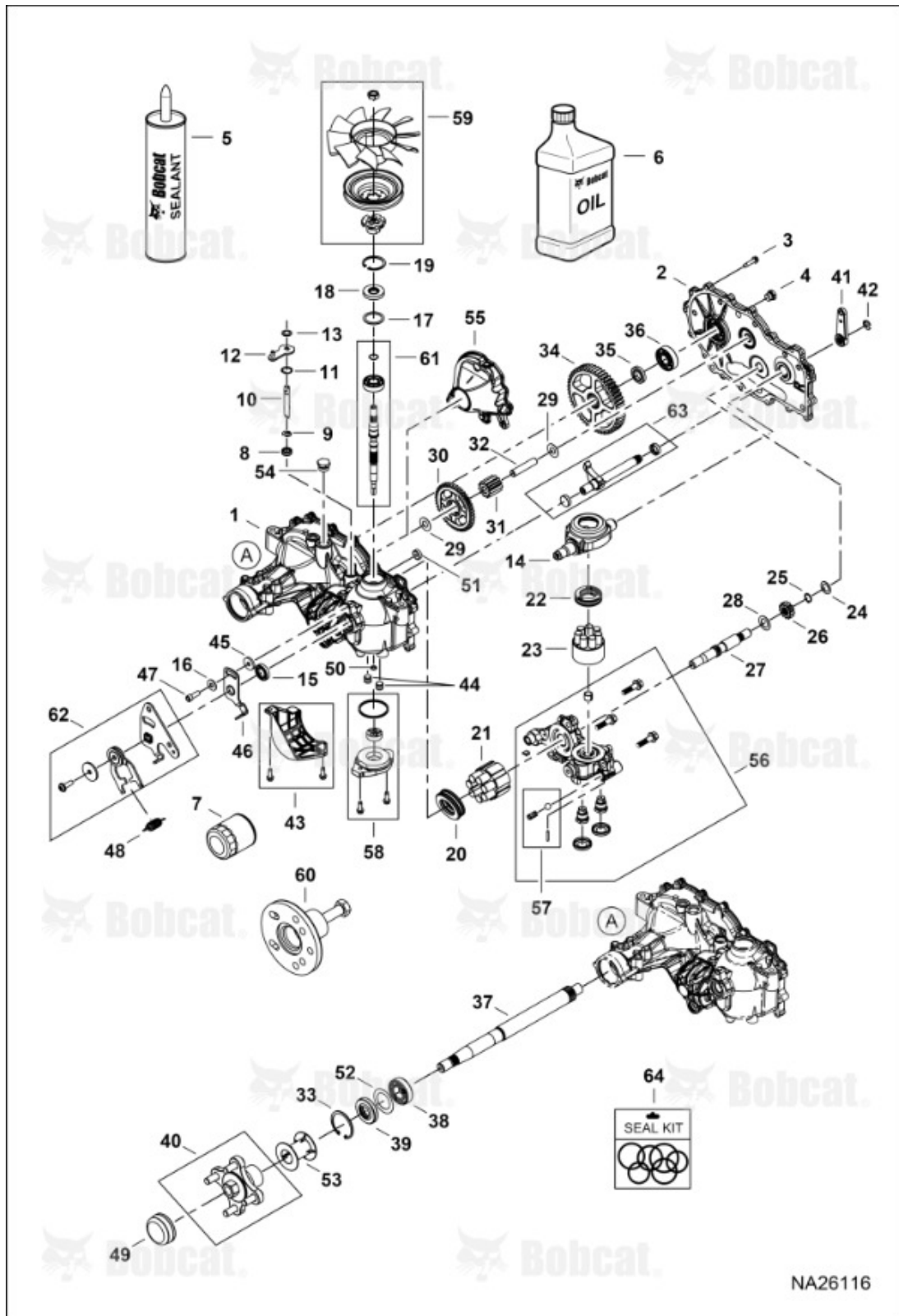
Title: Transaxle Left  
 Model Number: ZT3500  
 Serial Number: B6J611001 & Above

Ref #	Part #	Description	S/N	Qty
24	7525223	WASHER FLAT		1
25	7504360	RING RETAINING		1
26	7528558	GEAR STEEL		1
27	7525225	SHAFT MOTOR		1
28	7525226	WASHER FLAT		1
29	7525227	WASHER FLAT		2
30	7528559	GEAR STEEL		1
31	7525874	GEAR MOTOR		1
32	7525230	PIN SHAFT		1
33	7525110	RING RETAINING		1
34	7528560	GEAR STEEL		1
35	7525232	SPACER ROUND		1
36	7525233	KIT BEARING		1
37	7528561	SHAFT AXLE		1
38	7504382	BEARING BALL		1
39	7525234	SEAL LIP		1
40	7528562	KIT HUB		1
41	7525235	HANDLE ACTUATOR		1
42	4164862	CLIP RETAINING		1
43	7525236	KIT GUARD		1
44	7525143	O-RING		2
45	7504390	PLATE SPACER		1
46	7504373	ARM NEUTRAL		1
47	7504365	SCREW SOCKET HEAD		1
48	4168166-02	SPRING CONTROL ARM		1

Title: Transaxle Left  
 Model Number: ZT3500  
 Serial Number: B6J611001 & Above

Ref #	Part #	Description	S/N	Qty
49	7528563	CAP AXLE		1
50	7525875	KIT SEAL		1
51	7504363	RING MAGNETIC		1
52	7525238	SPACER ROUND		1
53	7528564	TUBE AXLE		1
54	7525239	PLUG STEEL		1
55	7525808	TANK EXPANSION ASSEMBLY		1
56	7528752	KIT CENTER SECTION		1
57	7525876	KIT RELIEF		1
58	4164228	KIT PUMP CHARGE COVER		1
59	4171150	KIT FAN PULLEY TRANSAXLE, was 7528554, A		1
60	970438	KIT WHEEL HUB PULLER		1
61	7528758	KIT SHAFT		1
62	4168166-04	KIT ARM CONTROL		1
63	7525245	KIT INBOARD		1
64	7528565	KIT SEAL, W/Ref. 8, 9, 11, 13, 15, 18, 19, 25, 42, 44 & 50		1

Title: Transaxle Right  
Model Number: ZT3500  
Serial Number: B6J611001 & Above



Title: Transaxle Right  
 Model Number: ZT3500  
 Serial Number: B6J611001 & Above

Ref #	Part #	Description	S/N	Qty
1	7528555	KIT HOUSING		1
2	7528556	KIT COVER RH		1
3	7525210	SCREW HEX		16
4	7525209	PLUG VENT		1
5	7504362	SEALANT GASKET LIQUID		1
6	7354881	OIL 15W40 QT 12, Transaxle fluid		X
6	7354882	OIL 15W40 GAL 6, Transaxle fluid		X
6	7354882PK	OIL 15W40 GAL 216		X
7	4142045-06	FILTER TRANSAXLE		1
8	7525211	SEAL LIP		1
9	7504367	RING RETAINING		1
10	7525212	ROD BYPASS		1
11	7504366	RING RETAINING		1
12	7525213	ARM BYPASS		1
13	7525214	RING RETAINING		1
14	7525215	SWASHPLATE		1
15	7525216	SEAL LIP		1
16	7504359	WASHER FLAT		1
17	7525217	WASHER FLAT		1
18	7528557	SEAL LIP		1
19	7525219	RING RETAINING		1
20	7525220	BEARING BALL		1
21	7525221	KIT CYLINDER BLOCK		1
22	4164841-004	BEARING PLASTIC		1
23	4164841-003	KIT CYLINDER BLOCK		1

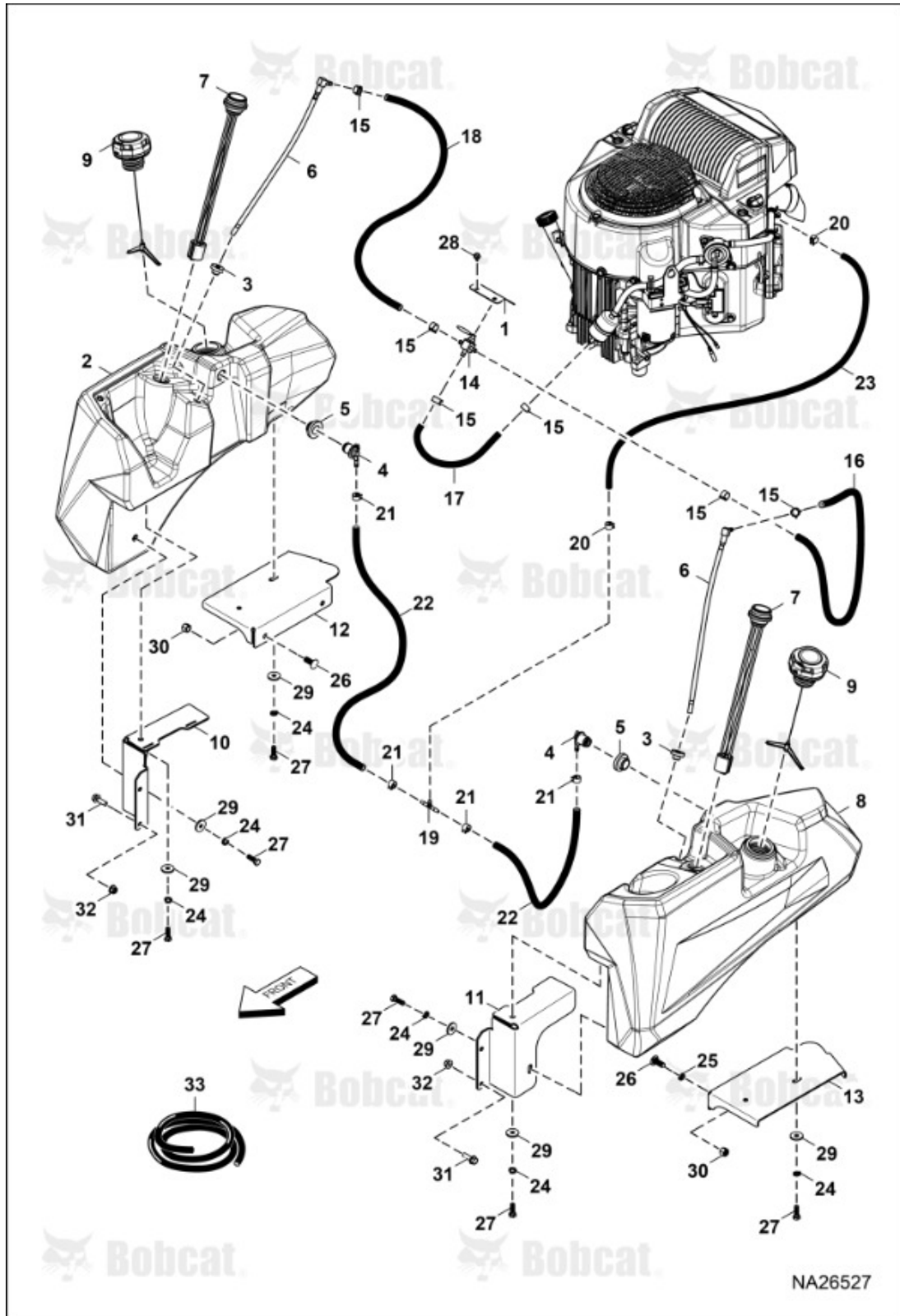
Title: Transaxle Right  
 Model Number: ZT3500  
 Serial Number: B6J611001 & Above

Ref #	Part #	Description	S/N	Qty
24	7525223	WASHER FLAT		1
25	7504360	RING RETAINING		1
26	7528558	GEAR STEEL		1
27	7525225	SHAFT MOTOR		1
28	7525226	WASHER FLAT		1
29	7525227	WASHER FLAT		2
30	7528559	GEAR STEEL		1
31		TUBE, TUBE, NLA - Was 6693573		1
32	7525230	PIN SHAFT		1
33	7525110	RING RETAINING		1
34	7528560	GEAR STEEL		1
35	7525232	SPACER ROUND		1
36	7525233	KIT BEARING		1
37	7528560	GEAR STEEL		1
38		BEARING 25.4 X 52 X 15 BALL, BEARING 25.4 X 52 X 15 BALL		1
39	7003566	BOLT, NLA		1
40	7528562	KIT HUB		1
41	7525235	HANDLE ACTUATOR		1
42	4164862	CLIP RETAINING		1
43	7525779	KIT GUARD		1
44	7525143	O-RING		2
45	7504390	PLATE SPACER		1
46	7504419	ARM NEUTRAL		1
47	7504365	SCREW SOCKET HEAD		1
48	4168166-02	SPRING CONTROL ARM		1

Title: Transaxle Right  
 Model Number: ZT3500  
 Serial Number: B6J611001 & Above

Ref #	Part #	Description	S/N	Qty
49	7528563	CAP AXLE		1
50	7525875	KIT SEAL		1
51	7504363	RING MAGNETIC		1
52	7525238	SPACER ROUND		1
53	7528564	TUBE AXLE		1
54	7525239	PLUG STEEL		1
55	7525813	TANK EXPANSION ASSEMBLY		1
56	7528566	KIT CENTER SECTION		1
57	7525876	KIT RELIEF		1
58	4164228	KIT PUMP CHARGE COVER		1
59	4171150	KIT FAN PULLEY TRANSAXLE, was 7528554, A		1
60	970438	KIT WHEEL HUB PULLER		1
61	4170834	TENSIONER DECK		1
62	4163819	KIT ARM CONTROL		1
63	7525780	KIT INBOARD, includes 7504421		1
63	7504421	SEAL PLUG		1
64	7528565	KIT SEAL, W/Ref. 8, 9, 11, 13, 15, 18, 19, 25, 42, 44 & 50		1

Title: Fuel Tank  
Model Number: ZT3500  
Serial Number: B6J611001 & Above



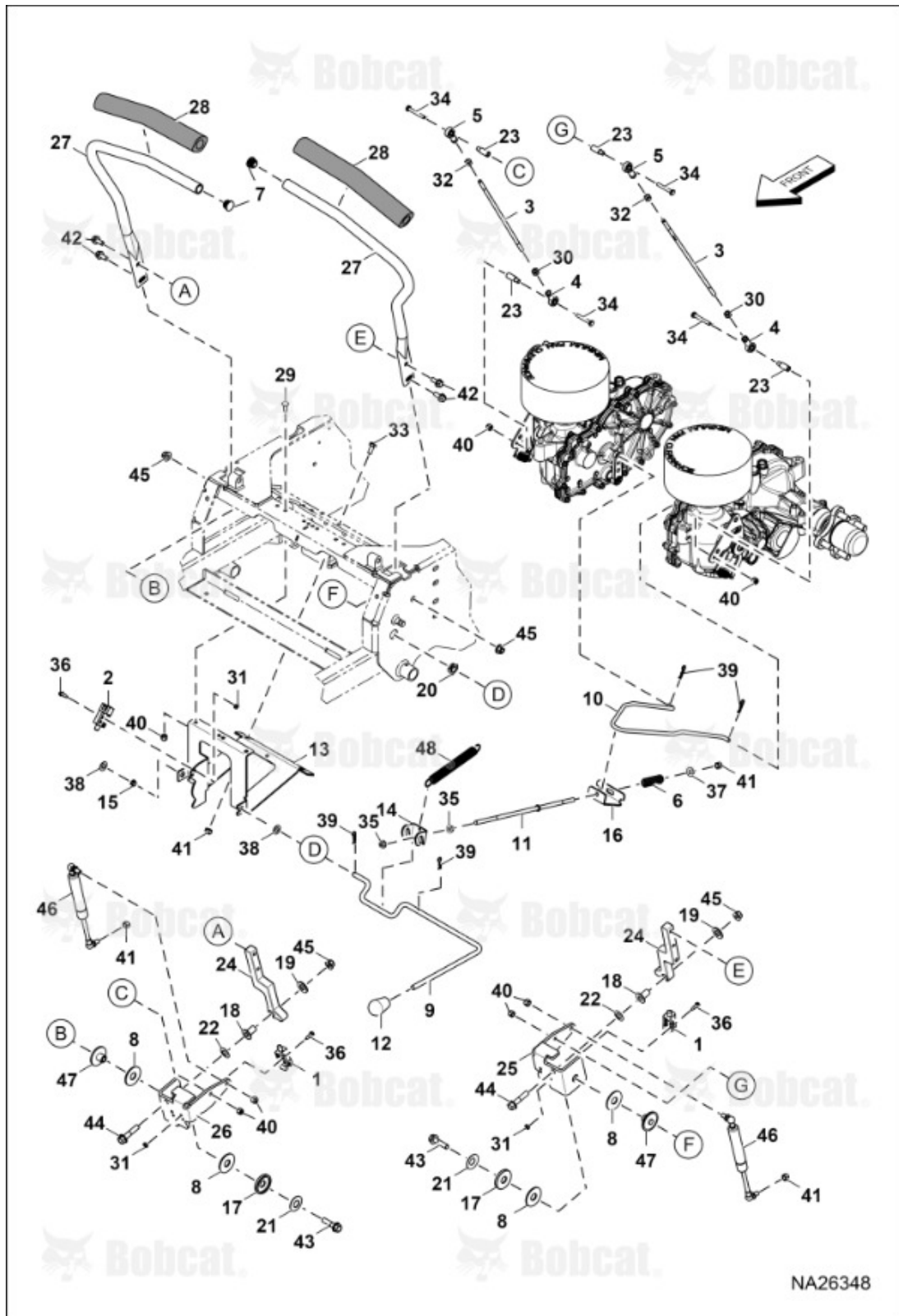
Title: Fuel Tank  
 Model Number: ZT3500  
 Serial Number: B6J611001 & Above

Ref #	Part #	Description	S/N	Qty
1	4174901.46	BRACKET TANK		1
2	4178510	TANK FUEL RH		1
3	4132325	GROMMET FUEL TANK		2
4	4165763	VENT AIR		2
5	4174343	GROMMET RUBBER		2
6	4178510-1	TUBE PICK UP		2
7	4178510-2	GAUGE FUEL ANALOG		2
8	4178511	TANK FUEL		1
9	4178765	CAP TANK		2
10	7515055.45	BRACKET TANK		1
11	7515054.45	BRACKET TANK		1
12	7515057.45	BRACKET TANK		1
13	7515056.45	BRACKET TANK		1
14	2188161	VALVE SELECTOR		1
15	7521536	CLAMP HOSE STEEL SPRING .5 RED		6
16	7526485	HOSE FUEL LINE		1
17	7526486	HOSE FUEL LINE		1
18	7526487	HOSE FUEL LINE		1
19	7539454	FITTING TEE HOSE		1
20	7508591	CLAMP HOSE		2
21	7522001	CLAMP HOSE		4
22	7530199	HOSE FUEL, NLA - 609.6mm (24") long - Order Ref. 33		2
23	7525648	HOSE FUEL LINE		1
24	4E5	WASHER, Was PN 64006-02, A		6
25	4E6	WASHER, Was PN 64006-03, A		4

Title: Fuel Tank  
Model Number: ZT3500  
Serial Number: B6J611001 & Above

Ref #	Part #	Description	S/N	Qty
26	10C616	BOLT SHRT SQ NK RHD 3/8-16X1 GRD 5, Was PN 64018-44, A		4
27	1C516	BOLT, Was PN 64123-68, A		6
28	64152-23	SCREW MACHINE		2
29	64163-29	WASHER FLAT		6
30	59D6	NUT LOCK HEX NYLON, Was 64229-03 , A		8
31	35C516	SCREW HEX HD W/F GR5, Was PN 64262-007, A		4
32	11D5	NUT LOCK HEX NYLON, Was 64268-02, A		4
33	4162989	HOSE FUEL, sold per foot		x

Title: Controls Group  
Model Number: ZT3500  
Serial Number: B6J611001 & Above



NA26348

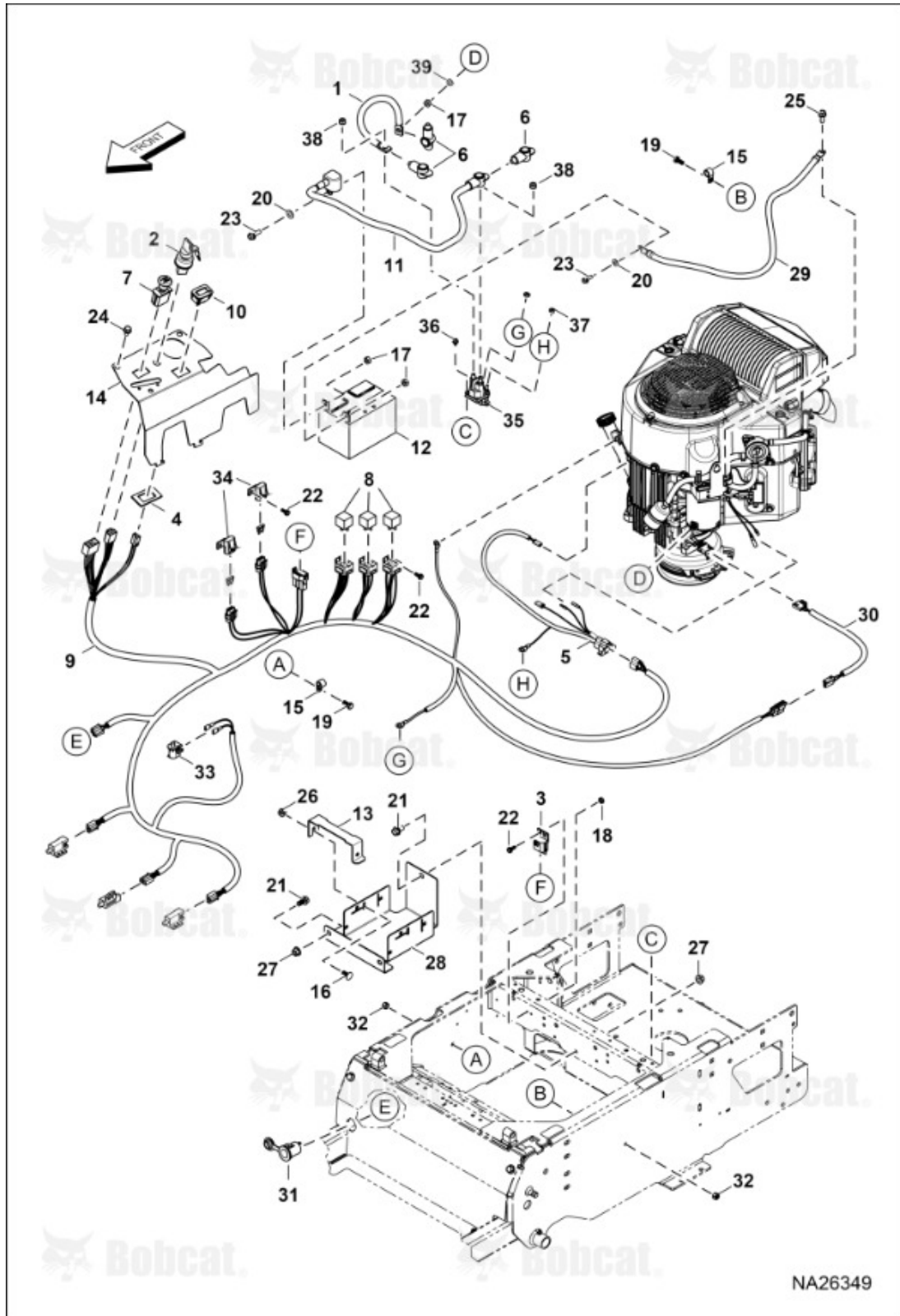
Title: Controls Group  
 Model Number: ZT3500  
 Serial Number: B6J611001 & Above

Ref #	Part #	Description	S/N	Qty
1	108208	SWITCH DOUBLE POLE NC/NO		2
2	2188156	SWITCH DOUBLE POLE NO/NO		1
3	4143571	ROD CONTROL		2
4	4143595-01	ROD END		2
5	4143595-02	ROD END		2
6	4155481	SPRING COMPRESSION		1
7	4163692	CAP END		2
8	4168126	WASHER FLAT		4
9	4168162	LEVER BRAKE		1
10	4168163	ROD BRAKE		1
11	4168171	ROD BRAKE		1
12	4168180	KNOB PUSH ON		1
13	4168209.46	BRACKET BRAKE		1
14	4168210.46	CLIP RETAINING		1
15	4168216	BUSHING BRAKE		1
16	4168217.46	BRACKET CLIP		1
17	4168328	WASHER CUPPED		2
18	4168345	SPACER CONTROL		2
19	4168346	WASHER CUP LUBRICATING		2
20	4168412	BEARING BRAKE PARKING		1
21	4168434	WASHER CUPPED		2
22	4168435	WASHER CUPPED		2
23	4168814	SPACER CONTROL		4
24	4170389	BAR CONTROL		2
25	4171278	PLATE CONTROL		1

Title: Controls Group  
 Model Number: ZT3500  
 Serial Number: B6J611001 & Above

Ref #	Part #	Description	S/N	Qty
26	4171279	PLATE CONTROL		1
27	4178923	HANDLE W/GRIP, Was 4178562.46, A		2
28	4178769	GRIP LEVER		2
29	37C412	BOLT, Was PN 64018-2, A		2
30	62D5	NUT HEX, Was Pn 64025-03, A		2
31	64025-15	NUT HEX		6
32	64025-33	NUT HEX		2
33	1C512	SCREW HEX CAP, Was PN 64123-54, A		2
34	64123-60	BOLT HEX		4
35	64141-6	NUT HEX		2
36	64152-49	SCREW HEX HEAD		6
37	64163-55	WASHER FLAT		1
38	64163-61	WASHER FLAT		2
39	7508483	PIN COTTER, Was 64168-2, A		4
40	59D4	NUT LOCK HEX NYLON, Was PN 64229-01, A		6
41	59D5	NUT LOCK HEX NYLON, Was PN 64229-02, A		7
42	35C512	SCREW FLANGED HEAD CAP, Was PN 64262-006, A		4
43	35C624	SCREW FLANGED HEAD CAP, Was PN 64262-013, A		2
44	35C628	BOLT, Was PN 64262-018, A		2
45	11D6	NUT LOCK HEX NYLON, Was PN 64268-03, A		4
46	46918847	DAMPER CONTROL, Was 7486876, A		2
47	7490308	CONTROL PIVOT SPACER		2
48	41-010	SPRING COIL		1

Title: Electrical Group  
Model Number: ZT3500  
Serial Number: B6J611001 & Above



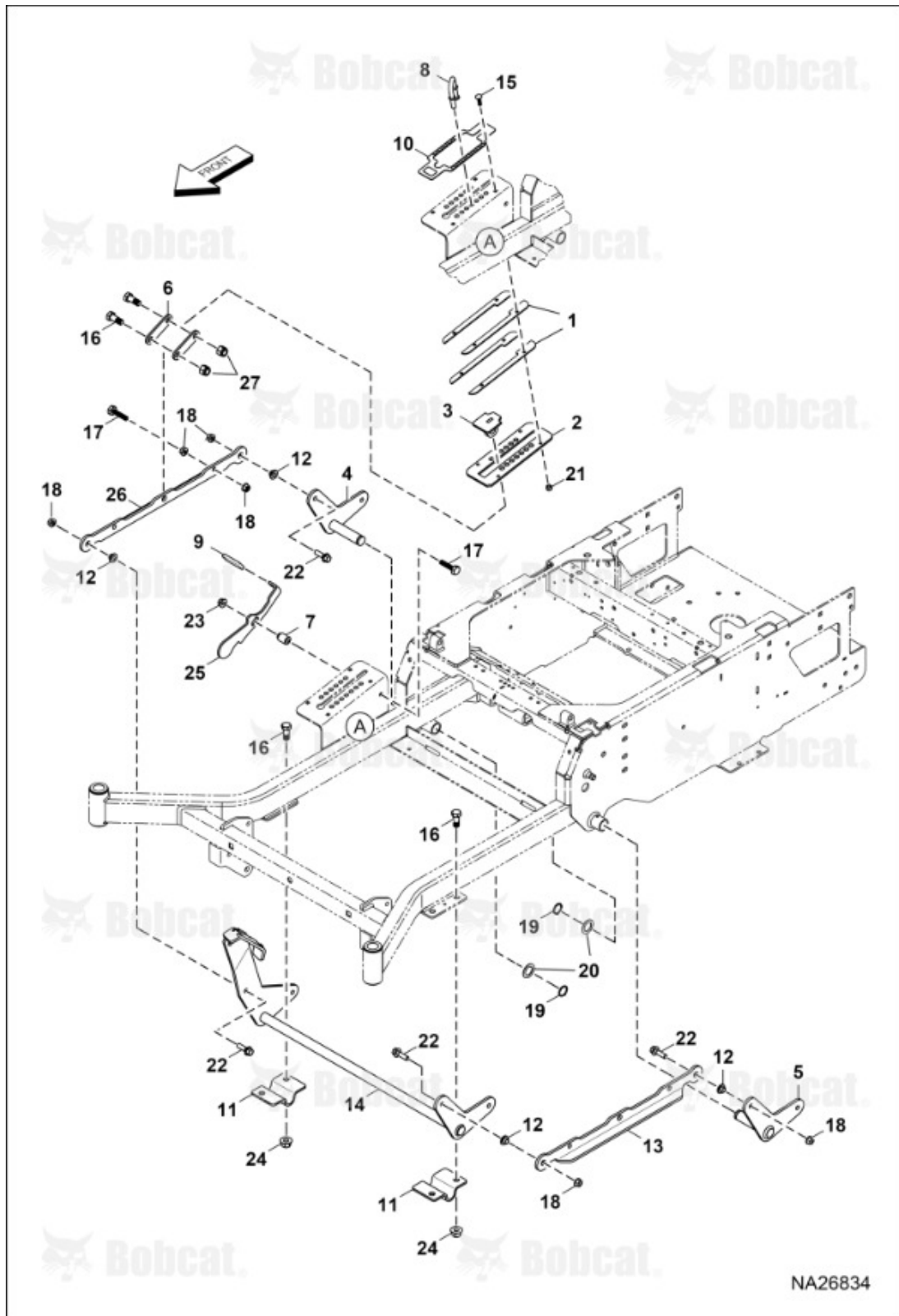
Title: Electrical Group  
 Model Number: ZT3500  
 Serial Number: B6J611001 & Above

Ref #	Part #	Description	S/N	Qty
1	108061-04	CABLE BATTERY POSITIVE, Used on EMEA models.		1
1	7522897	CABLE BATTERY W/CONDUIT, Used on NA		1
2	128010	SWITCH IGNITION		1
3	2188154	MODULE DELAY		1
4	2188178	SWITCH RETAINER		1
5	2188225	WIRE GROUND		1
6	2308095	COVER TERMINAL		3
7	2721505	SWITCH PTO		1
8	6679820	SWITCH RELAY MAGNETIC, Was 2722325 , A		3
9	4168406	HARNESS MAIN		1
10	4168452	HOURLMETER		1
11	4168492	CABLE BATTERY		1
12	46979478	BATTERY 190CCA WITH DECAL, Was 4171099, A		1
12	46897426	BATTERY AGM 300CCA		1
13	4174233.46	BRACKET BATTERY		1
14	4178843.46	PANEL CONTROL		1
15	48228-12	CLAMP CLIP		2
16	7508182	BOLT CARRIAGE, Was PN 64018-41, A		1
17	64025-01	NUT HEX		3
18	64025-15	NUT HEX		4
19	1C512	SCREW HEX CAP, Was PN 64123-54, A		2
20	64163-03	WASHER FLAT		2
21	84G3712	SCREW THD ROLLING TT, Was PN 64197-022, A		3
22	84G1908	BOLT, Was 64197-032, A		2
23	35C412	SCREW FLANGED HEAD CAP, Was PN 64262-002, A		2

Title: Electrical Group  
 Model Number: ZT3500  
 Serial Number: B6J611001 & Above

Ref #	Part #	Description	S/N	Qty
24	64262-042	BOLT FLANGE		2
25	29CM820	SCREW HEX FLANGE, Was PN 64263-007, A		1
26	11D4	NUT LOCK HEX NYLON, Was PN 64268-01, A		1
27	11D6	NUT LOCK HEX NYLON, Was PN 64268-03, A		3
28	7533717.46	PAN BATTERY		1
29	30-419	CABLE BATTERY NEGATIVE		1
30	7501226	CLUTCH ELECTRIC, used on EMEA models		1
30	2720949	WIRE CLUTCH, used on NA FX651V		1
31	4142266	CONNECTOR RECEPTACLE		1
32	59D5	NUT LOCK HEX NYLON, Was PN 64229-02, A		2
33	4124009	SWITCH SEAT		1
34	46693386	CONNECTOR CAP		2
35	7528858	SOLENOID STARTER		1
36	64152-23	SCREW MACHINE		3
37	7526738	NUT HEX		2
38	7526872	NUT HEX		2

Title: Deck Lift Controls  
Model Number: ZT3500  
Serial Number: B6J611001 & Above



Title: Deck Lift Controls  
 Model Number: ZT3500  
 Serial Number: B6J611001 & Above

Ref #	Part #	Description	S/N	Qty
1	4167982.46	PLATE STACKER		4
2	4167983.46	PLATE SLIDER MOUNTING		1
3	46927285.46	CUTTER DECK HEIGHT SLIDER W/A, Was 4167994.46, A		1
4	4168138.46	STUBSHAFT WELDMENT		1
5	4168140.46	STUBSHAFT WELDMENT		1
6	4168181.46	PLATE LINK		2
7	4168335	SPACER TANSPORT RELEASE		1
8	4168338	STOP WIRE FORM		1
9	4169398	GRIP LATCH		1
10	4169639	DECAL CUT HEIGHT		1
11	4174076.46	BRACKET HANGER DECK LIFT		2
12	4174948-01	SPACER DECK LINK		4
13	7515097.46	BRACKET LIFT		2
14	46892799.46	ARM LIFT W/A		1
15	64018-42	BOLT CARRIAGE		4
16	1C820	BOLT, Was PN 64123-39, A		6
17	1C628	BOLT, Was PN 64123-87, A		2
18	99D6	NUT HEX FLANGED, Was PN 64141-4, A		6
19	64144-03	RING SNAP		2
20	7508402	WASHER FLAT, Was PN 64163-65, A		2
21	59D4	NUT LOCK HEX NYLON, Was PN 64229-01, A		4
22	64262-012	BOLT FLANGE		4
23	11D6	NUT LOCK HEX NYLON, Was PN 64268-03, A		1
24	11D8	NUT LOCK HEX NYLON, Was PN 64268-05, A		4
25	7464239.46	LATCH TRANSPORT		1

Title: Deck Lift Controls  
Model Number: ZT3500  
Serial Number: B6J611001 & Above

Ref #	Part #	Description	S/N	Qty
26	7519626.46	PLATE LINK		1
27	59D8	NUT LOCK HEX NYLON, Was 64229-05, A		2



Title: DECK, Wheels & Covers (48")

Model Number: ZT3500

Serial Number: B6J611001 & Above

Ref #	Part #	Description	S/N	Qty
1	4173222.46	COVER BELT 48 RH		1
2	4173223.46	COVER BELT 48 LH		1
3	2188127	CHAIN LINK		4
4	4175098.46	BRACKET ARM PULL		1
5	4177411.46	BRACKET FRONT		1
6	4177410.46	BRACKET REAR		1
7	4172328	CHUTE PLASTIC		1
8	4179469	DECK W/LABELS 48 IN, Was 4178463.46, A		1
9	4178563	DECAL DECK STEP		1
10	2721512	ROLLER CENTERED		3
11	4173063.46	PLATE CHUTE		1
12	4178684	SPACER DECK HANGING		4
13	4168941	PAD BUMPER		4
14	4175019	SPACER ARM PULL		4
15	4172885-1	BOLT ANTI-SCALP ROLLER		3
16	7510305	WASHER FLAT, used on EMEA model only		6
17	59D8	NUT LOCK HEX NYLON, Was PN 64229-05, A		3
18	99D6	NUT HEX FLANGED, Was PN 64141-16, A		6
19	59D6	NUT LOCK HEX NYLON, Was 64229-03 , A		6
20	64189-29	BOLT HEX		2
21	1C820	BOLT, Was PN 64123-39, A		3
22	11D6	NUT LOCK HEX NYLON, Was PN 64268-03, A		7
23	37C624	BOLT, Was PN 64018-49, A		2
24	11D8	NUT LOCK HEX NYLON, Was PN 64268-05, A		2

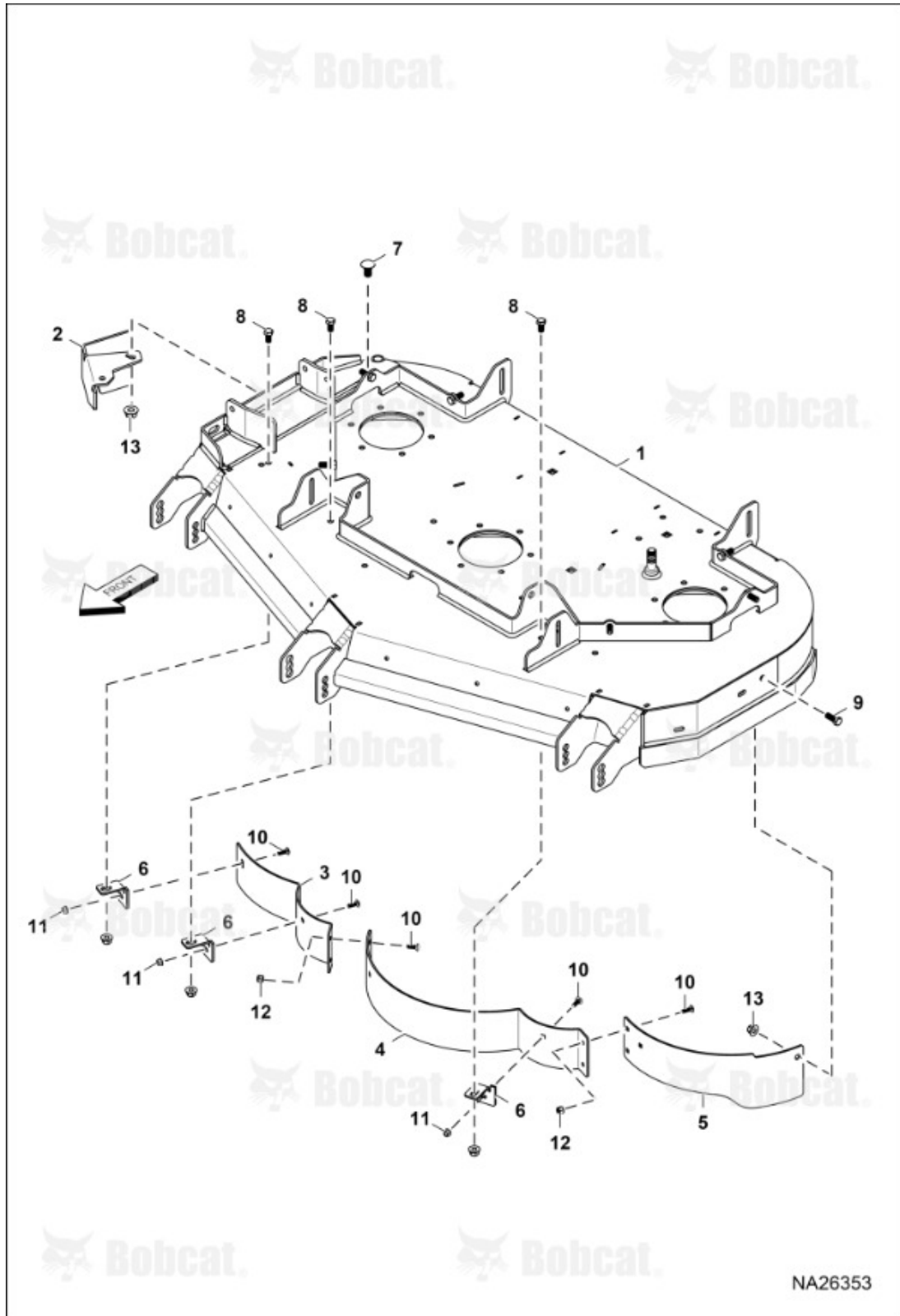
Title: DECK, Wheels & Covers (48")

Model Number: ZT3500

Serial Number: B6J611001 & Above

Ref #	Part #	Description	S/N	Qty
25	1C620	SCREW HEX CAP, Was PN 64123-16, A		4
26	35C628	BOLT, Was PN 64262-018, A		4
27	4169895	WASHER FRICTION		2
28	4169871	WASHER CUPPED		2
29	64279-03	PUSHNUT BOLT RETAINER		4
30	38524	KNOB 4 PRONG, use on NA models		2
30	11D6	NUT LOCK HEX NYLON, use on EMEA models - was PN 64268-03, A		1

Title: Deck Shields (48")  
Model Number: ZT3500  
Serial Number: B6J611001 & Above



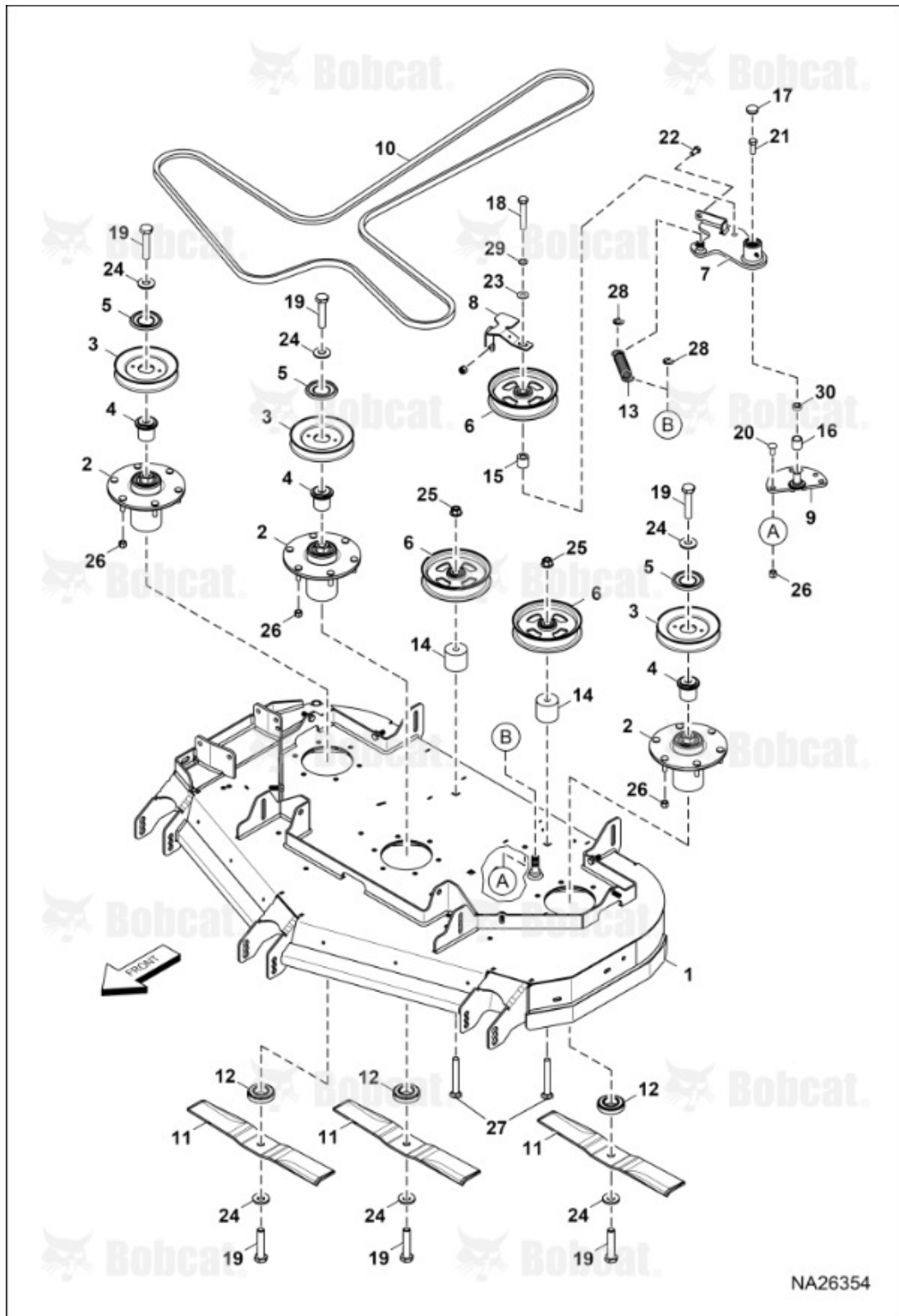
Title: Deck Shields (48")  
 Model Number: ZT3500  
 Serial Number: B6J611001 & Above

Ref #	Part #	Description	S/N	Qty
1	4179469	DECK W/LABELS 48 IN, Was 4178463.46, A		1
2	4173420.46	BAFFLE DISCHARGE		1
3	4168527.46	BAFFLE FRONT RH		1
4	4165972.46	BAFFLE FRONT CENTER		1
5	4165971.46	BAFFLE FRONT LH		1
6	4168514.46	BRACKET MOUNTING		3
7	10C612	BOLT, Was PN 64018-23, A		1
8	1C612	BOLT, Was PN 64123-15, A		3
9	1C616	SCREW HEX HEAD CAP, Was PN 64123-50, A		2
10	37C412	BOLT, Was PN 64018-2, A		6
11	11D4	NUT LOCK HEX NYLON, Was PN 64268-01, A		3
12	59D4	NUT LOCK HEX NYLON, Was PN 64229-01, A		2
13	11D6	NUT LOCK HEX NYLON, Was PN 64268-03, A		2

Title: BELTS, Pulleys & Blades (48")

Model Number: ZT3500

Serial Number: B6J611001 & Above



Title: BELTS, Pulleys & Blades (48")

Model Number: ZT3500

Serial Number: B6J611001 & Above

Ref #	Part #	Description	S/N	Qty
1	4179469	DECK W/LABELS 48 IN, Was 4178463.46, A		1
2	7444228	SPINDLE ASSEMBLY		3
3	4174432	PULLEY SPINDLE		3
4	7445041	SPACER SPINDLE		3
5	4175081	SPACER SPINDLE		3
6	4176803	PULLEY IDLER		3
7	4178918	ARM IDLER ASSEMBLY		1
8	4175480.46	GUIDE BELT IDLER		1
9	4170021.46	PIN IDLER WELDMENT		1
10	7503240	BELT DECK 48 IN, used on EMEA models		1
10	4169566	BELT DECK 48 IN, used on NA models		1
11	112111-01	BLADE 16.25 OFFSET HI-LIFT		3
12	4174961-1	SPACER SPINDLE		3
13	2308133	SPRING EXTENSION		1
14	4152578-04	SPACER ROUND		3
15	4163802-04	SPACER ROUND		1
16	4163155	RING INNER		1
17	4128002	CAP ASSEMBLY		1
18	64123-305	BOLT HEX		1
19	64123-133	BOLT HEX		6
20	10C616	BOLT SHRT SQ NK RHD 3/8-16X1 GRD 5, Was PN 64018-44, A		3
21	64270-02	BOLT HEX		1
22	1C612	BOLT, Was PN 64123-15, A		1
23	64163-67	WASHER FLAT		3
24	64209-03	SPRING WASHER		6

Title: BELTS, Pulleys & Blades (48")

Model Number: ZT3500

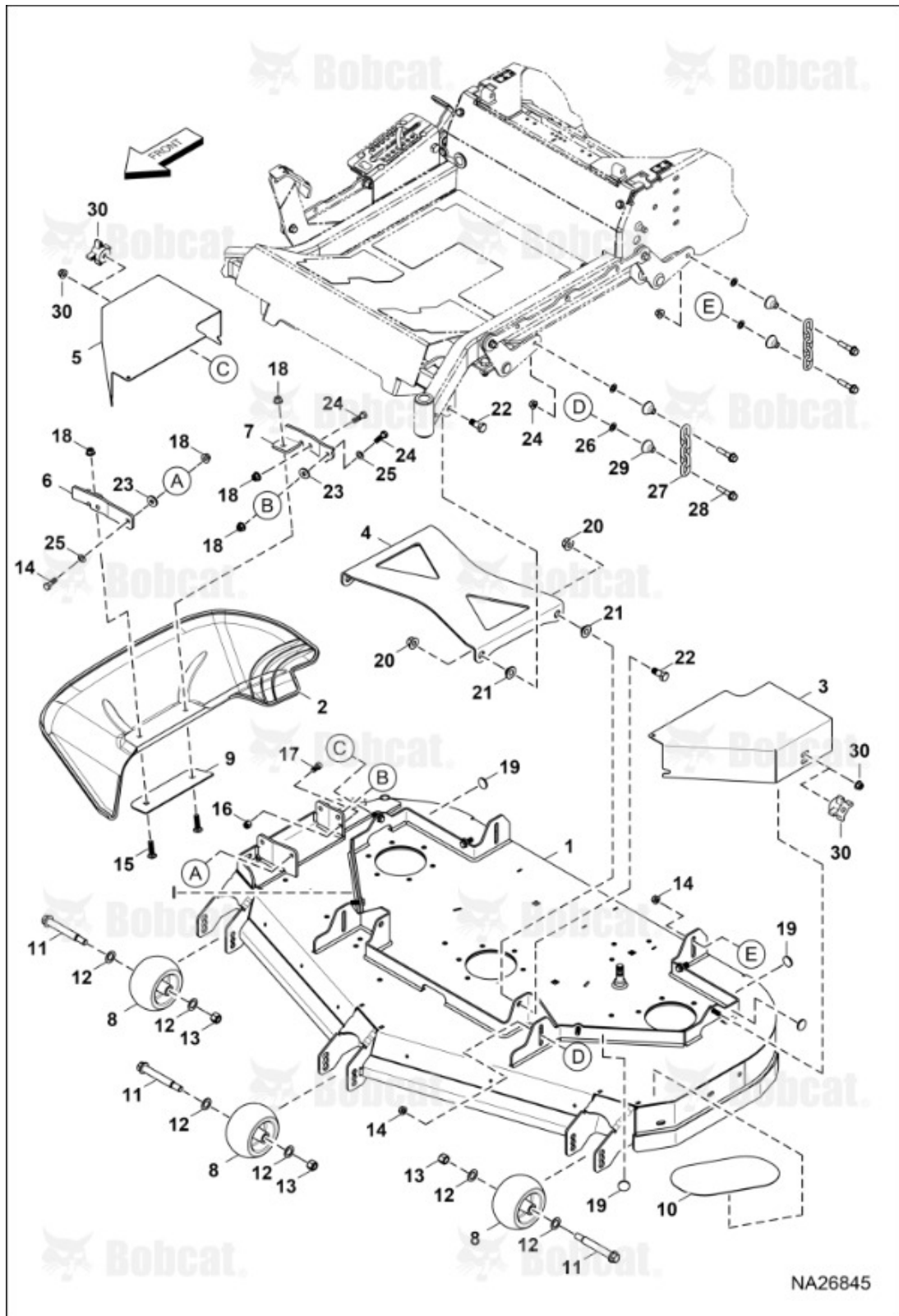
Serial Number: B6J611001 & Above

Ref #	Part #	Description	S/N	Qty
25	11D8	NUT LOCK HEX NYLON, Was PN 64268-05, A		2
26	59D6	NUT LOCK HEX NYLON, Was 64229-03 , A		23
27	37C864	BOLT HEAD SQUARE, Was PN 64018-21, A		2
28	64144-36	RING SNAP		2
29	4E8	WASHER, Was PN 64006-05, A		1
30	4163014	SPACER ROUND		1

Title: DECK, Wheels & Covers (52")

Model Number: ZT3500

Serial Number: B6J611001 & Above



Title: DECK, Wheels & Covers (52")

Model Number: ZT3500

Serial Number: B6J611001 & Above

Ref #	Part #	Description	S/N	Qty
1	4179470	DECK W/LABELS 52 IN, was 4178429.46, A		1
2	4172328	CHUTE PLASTIC		1
3	4169305.46	COVER BELT		1
4	4175098.46	BRACKET ARM PULL		1
5	4179687.46	COVER BELT 52 RH		1
6	4177411.46	BRACKET FRONT		1
7	4177410.46	BRACKET REAR		1
8	2721512	ROLLER CENTERED		3
9	4173063.46	PLATE CHUTE		1
10	4178563	DECAL DECK STEP		1
11	4172885-1	BOLT ANTI-SCALP ROLLER		3
12	7510305	WASHER FLAT, used on EMEA models		6
13	59D8	NUT LOCK HEX NYLON, Was PN 64229-05, A		3
14	99D6	NUT HEX FLANGED, Was PN 64141-16, A		4
15	37C624	BOLT, Was PN 64018-49, A		2
16	59D6	NUT LOCK HEX NYLON, Was 64229-03 , A		23
17	73G612	CAPSCREW, Was PN 64189-28, A		1
18	11D6	NUT LOCK HEX NYLON, Was PN 64268-03, A		17
19	4168941	PAD BUMPER, used on EMEA models		10
20	11D8	NUT LOCK HEX NYLON, Was PN 64268-05, A		6
21	4175019	SPACER ARM PULL		4
22	1C820	BOLT, Was PN 64123-39, A		4
23	4169895	WASHER FRICTION		2
24	1C620	SCREW HEX CAP, Was PN 64123-16, A		3
25	4169871	WASHER CUPPED		2

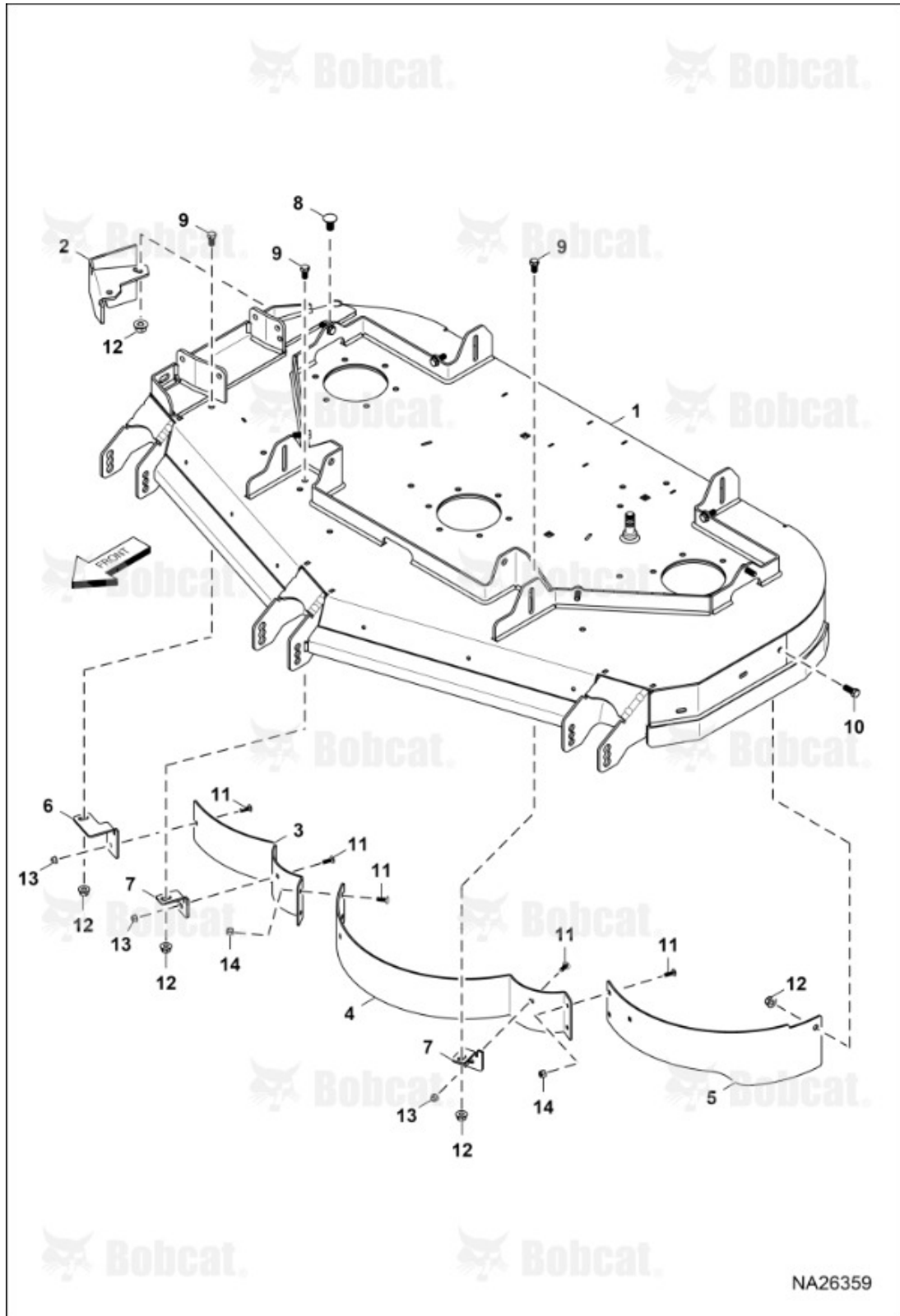
Title: DECK, Wheels & Covers (52")

Model Number: ZT3500

Serial Number: B6J611001 & Above

Ref #	Part #	Description	S/N	Qty
26	64279-03	PUSHNUT BOLT RETAINER		4
27	2188127	CHAIN LINK		2
28	35C628	BOLT, Was PN 64262-018, A		4
29	4178787	DECK HANGER		4
30	38524	KNOB 4 PRONG		2
30	11D6	NUT LOCK HEX NYLON, Was PN 64268-03, A		1

Title: Deck Shields (52")  
Model Number: ZT3500  
Serial Number: B6J611001 & Above



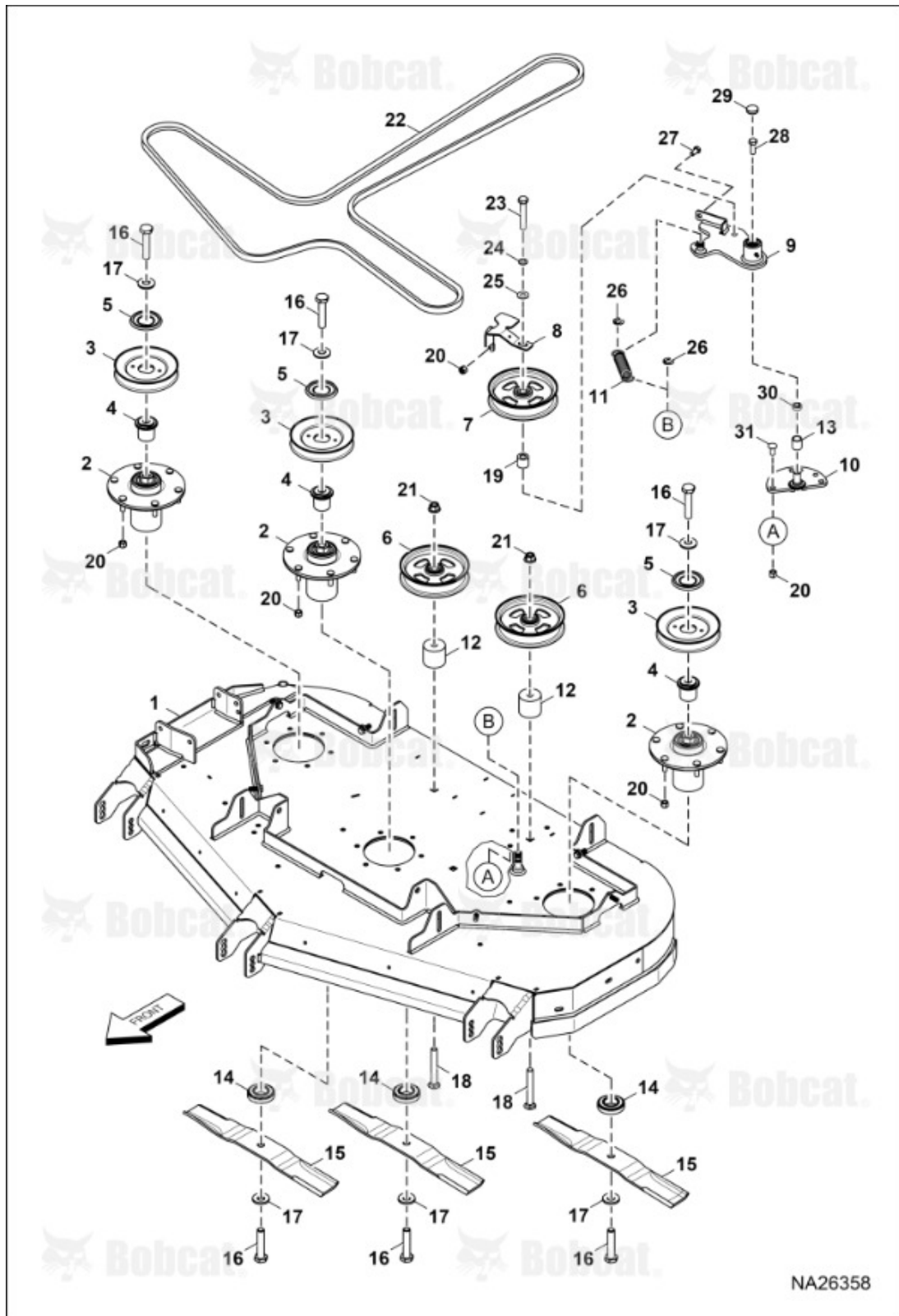
Title: Deck Shields (52")  
 Model Number: ZT3500  
 Serial Number: B6J611001 & Above

Ref #	Part #	Description	S/N	Qty
1	4179470	DECK W/LABELS 52 IN, was 4178429.46, A		1
2	4173420.46	BAFFLE DISCHARGE		1
3	4168516.46	BAFFLE FRONT RH		1
4	4165966.46	BAFFLE FRONT CENTER		1
5	4165965.46	BAFFLE FRONT LH		1
6	4168515.46	BRACKET MOUNTING		1
7	4168514.46	BRACKET MOUNTING		2
8	10C612	BOLT, Was PN 64018-23, A		2
9	1C612	BOLT, Was PN 64123-15, A		4
10	1C616	SCREW HEX HEAD CAP, Was PN 64123-50, A		3
11	37C412	BOLT, Was PN 64018-2, A		7
12	11D6	NUT LOCK HEX NYLON, Was PN 64268-03, A		17
13	11D4	NUT LOCK HEX NYLON, Was PN 64268-01, A		3
14	59D4	NUT LOCK HEX NYLON, Was PN 64229-01, A		4

Title: BELTS, Pulleys & Blades (52")

Model Number: ZT3500

Serial Number: B6J611001 & Above



Title: BELTS, Pulleys & Blades (52")

Model Number: ZT3500

Serial Number: B6J611001 & Above

Ref #	Part #	Description	S/N	Qty
1	4179470	DECK W/LABELS 52 IN, was 4178429.46, A		1
2	7444228	SPINDLE ASSEMBLY		3
3	4174432	PULLEY SPINDLE		3
4	7445041	SPACER SPINDLE		3
5	4175081	SPACER SPINDLE		3
6	4176836	PULLEY IDLER		2
7	4176803	PULLEY IDLER		1
8	4175480.46	GUIDE BELT IDLER		1
9	4178918	ARM IDLER ASSEMBLY		1
10	4170021.46	PIN IDLER WELDMENT		1
11	2308133	SPRING EXTENSION		1
12	4152578-04	SPACER ROUND		2
13	4163155	RING INNER		1
14	4174961-1	SPACER SPINDLE		3
15	112243-02	BLADE ASSEMBLY		3
16	64123-133	BOLT HEX		6
17	64209-03	SPRING WASHER		6
18	37C864	BOLT HEAD SQUARE, Was PN 64018-21, A		2
19	4163802-04	SPACER ROUND		1
20	59D6	NUT LOCK HEX NYLON, Was 64229-03 , A		23
21	11D8	NUT LOCK HEX NYLON, Was PN 64268-05, A		2
22	7503241	BELT DECK 52 IN, used on EMEA models		1
22	4169640	BELT DECK 52 IN, used on NA models		1
23	64123-305	BOLT HEX		1
24	4E8	WASHER, Was PN 64006-05, A		1

Title: BELTS, Pulleys & Blades (52")

Model Number: ZT3500

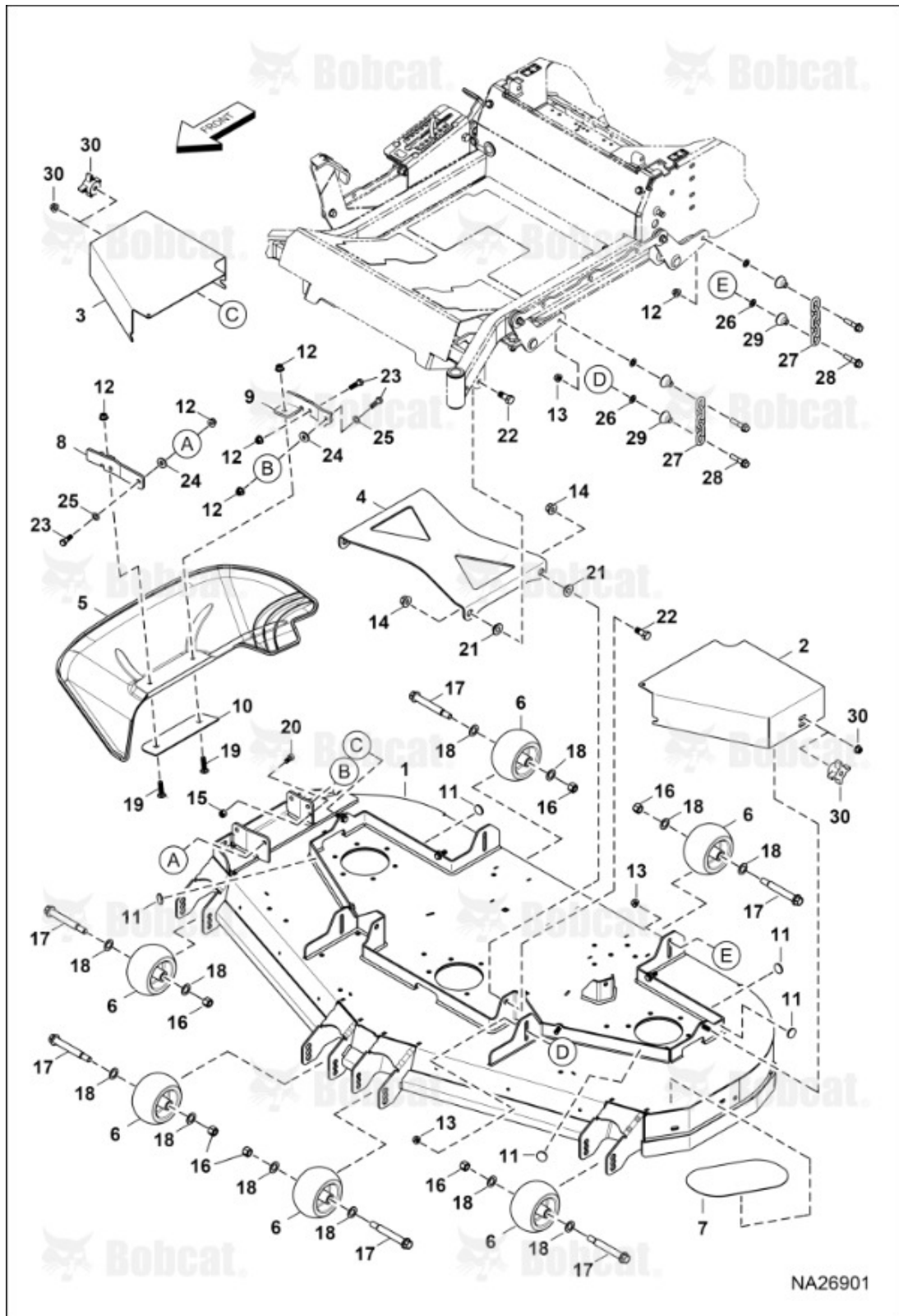
Serial Number: B6J611001 & Above

Ref #	Part #	Description	S/N	Qty
25	64163-67	WASHER FLAT		1
26	64144-36	RING SNAP		2
27	1C612	BOLT, Was PN 64123-15, A		4
28	64270-02	BOLT HEX		1
29	4128002	CAP ASSEMBLY		1
30	10C616	BOLT SHRT SQ NK RHD 3/8-16X1 GRD 5, Was PN 64018-44, A		3

Title: DECK, Wheels & Covers (61")

Model Number: ZT3500

Serial Number: B6J611001 & Above



Title: DECK, Wheels & Covers (61")

Model Number: ZT3500

Serial Number: B6J611001 & Above

Ref #	Part #	Description	S/N	Qty
1	4179466	DECK W/LABELS 61 IN, Was 4178417.46, A		1
2	4169309.46	COVER BELT		1
3	4179688.46	COVER BELT 61 RH		1
4	4175098.46	BRACKET ARM PULL		1
5	4172328	CHUTE PLASTIC		1
6	2721512	ROLLER CENTERED		6
7	4178563	DECAL DECK STEP		3
8	4177411.46	BRACKET FRONT		1
9	4177410.46	BRACKET REAR		1
10	4173063.46	PLATE CHUTE		1
11	4168941	PAD BUMPER		12
12	11D6	NUT LOCK HEX NYLON, Was PN 64268-03, A		17
13	99D6	NUT HEX FLANGED, Was PN 64141-16, A		4
14	11D8	NUT LOCK HEX NYLON, Was PN 64268-05, A		6
15	59D6	NUT LOCK HEX NYLON, Was 64229-03 , A		23
16	59D8	NUT LOCK HEX NYLON, Was PN 64229-05, A		6
17	4172885-1	BOLT ANTI-SCALP ROLLER		6
18	7510305	WASHER FLAT, used on EMEA models		12
19	37C624	BOLT, Was PN 64018-49, A		2
20	64189-29	BOLT HEX		1
21	4175019	SPACER ARM PULL		4
22	1C820	BOLT, Was PN 64123-39, A		4
23	1C620	SCREW HEX CAP, Was PN 64123-16, A		3
24	4169895	WASHER FRICTION		2

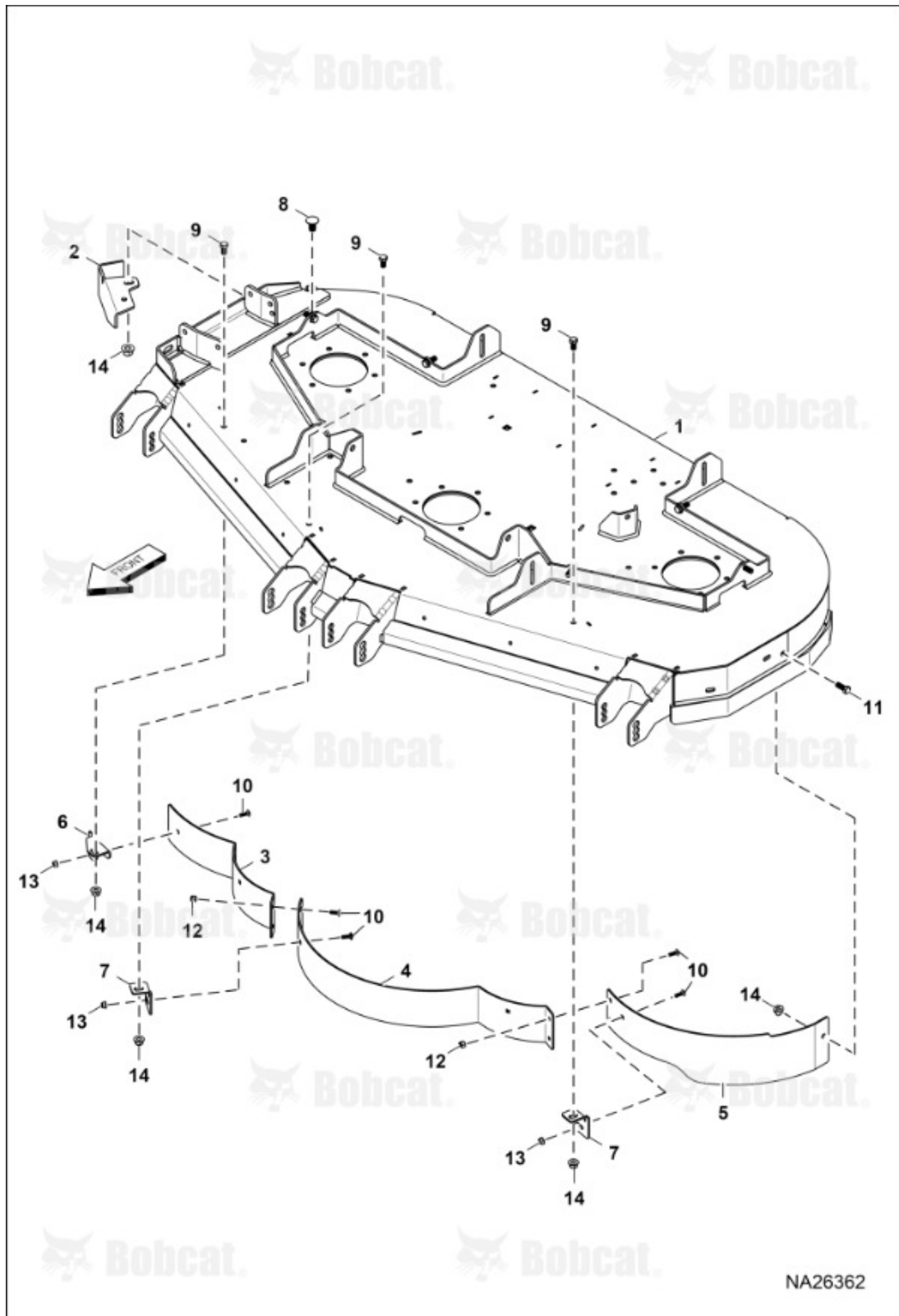
Title: DECK, Wheels & Covers (61")

Model Number: ZT3500

Serial Number: B6J611001 & Above

Ref #	Part #	Description	S/N	Qty
25	4169871	WASHER CUPPED		2
26	64279-03	PUSHNUT BOLT RETAINER		4
27	2188127	CHAIN LINK		4
28	35C628	BOLT, Was PN 64262-018, A		4
29	4178684	SPACER DECK HANGING		4
30	38524	KNOB 4 PRONG, used on NA models		1
30	11D6	NUT LOCK HEX NYLON, use on EMEA models - was PN 64268-03, A		1

Title: Deck Shields (61")  
Model Number: ZT3500  
Serial Number: B6J611001 & Above



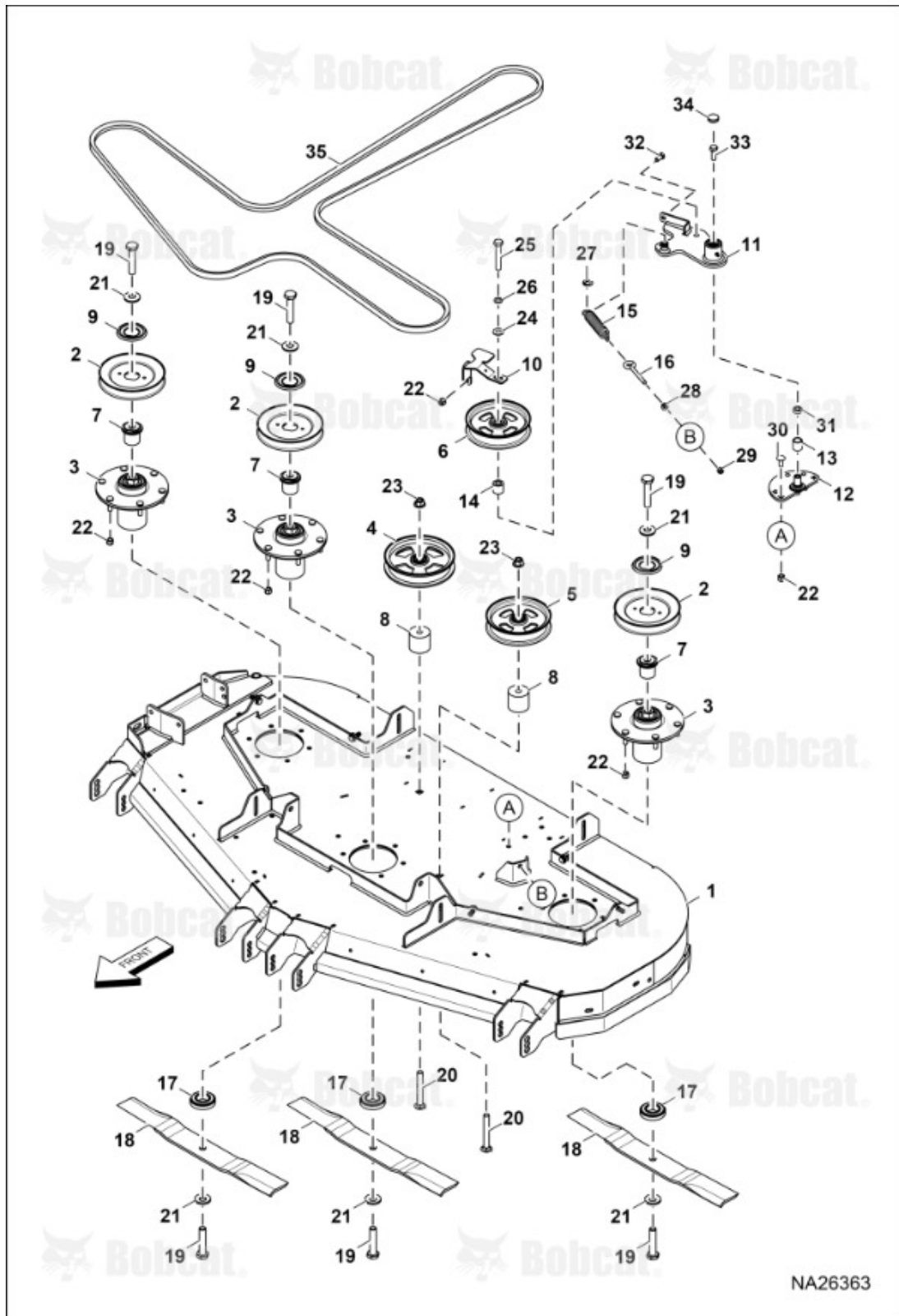
Title: Deck Shields (61")  
 Model Number: ZT3500  
 Serial Number: B6J611001 & Above

Ref #	Part #	Description	S/N	Qty
1	4179466	DECK W/LABELS 61 IN, Was 4178417.46, A		1
2	4171432.46	BAFFLE DISCHARGE		1
3	4171792.46	BAFFLE FRONT RH		1
4	4168642.46	BAFFLE FRONT CENTER		1
5	4165968.46	BAFFLE FRONT LH		1
6	4168487.46	BRACKET MOUNTING		1
7	4168523.46	BRACKET MOUNTING		2
8	10C612	BOLT, Was PN 64018-23, A		2
9	1C612	BOLT, Was PN 64123-15, A		4
10	37C412	BOLT, Was PN 64018-2, A		7
11	1C616	SCREW HEX HEAD CAP, Was PN 64123-50, A		1
12	59D4	NUT LOCK HEX NYLON, Was PN 64229-01, A		4
13	11D4	NUT LOCK HEX NYLON, Was PN 64268-01, A		3
14	11D6	NUT LOCK HEX NYLON, Was PN 64268-03, A		17

Title: BELTS, Pulleys & Blades (61")

Model Number: ZT3500

Serial Number: B6J611001 & Above



Title: BELTS, Pulleys & Blades (61")

Model Number: ZT3500

Serial Number: B6J611001 & Above

Ref #	Part #	Description	S/N	Qty
1	4179466	DECK W/LABELS 61 IN, Was 4178417.46, A		1
2	4173961	PULLEY SPINDLE		3
3	7444228	SPINDLE ASSEMBLY		3
4	4165953	PULLEY IDLER		1
5	4176836	PULLEY IDLER		1
6	4176803	PULLEY IDLER		1
7	7445041	SPACER SPINDLE		3
8	4152578-04	SPACER ROUND		2
9	4175081	SPACER SPINDLE		3
10	4175480.46	GUIDE BELT IDLER		1
11	4178918	ARM IDLER ASSEMBLY		1
12	4170021.46	PIN IDLER WELDMENT		1
13	4163155	RING INNER		1
14	4163802-04	SPACER ROUND		1
15	4163586	SPRING EXTENSION		1
16	7508365	BOLT EYE, Was PN 64158-08, A		1
17	4174961-1	SPACER SPINDLE		3
18	112243-03	BLADE MOWER		3
19	64123-133	BOLT HEX		6
20	37C864	BOLT HEAD SQUARE, Was PN 64018-21, A		2
21	64209-03	SPRING WASHER		6
22	59D6	NUT LOCK HEX NYLON, Was 64229-03 , A		23
23	11D8	NUT LOCK HEX NYLON, Was PN 64268-05, A		6
24	64163-67	WASHER FLAT		1
25	64123-305	BOLT HEX		1

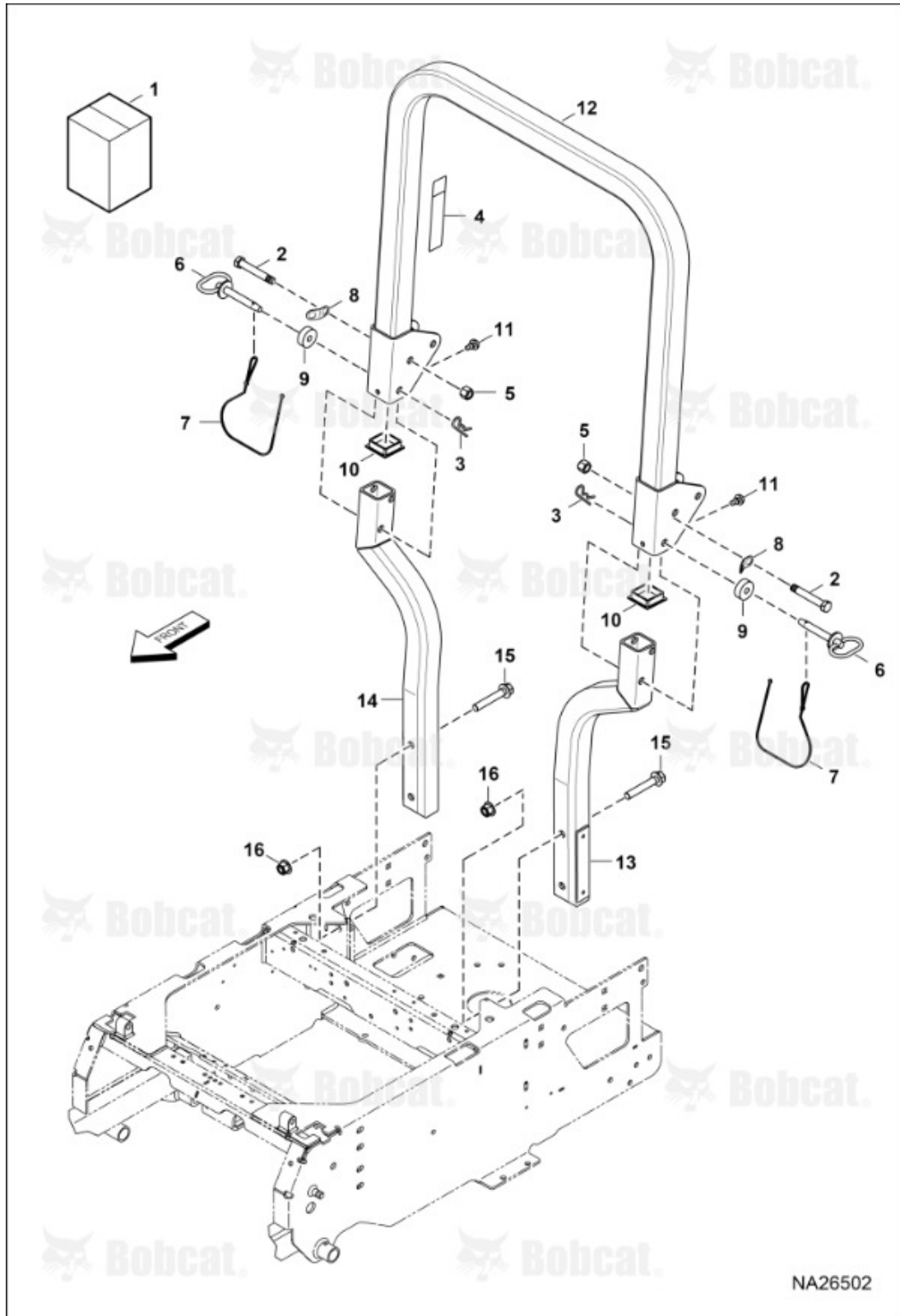
Title: BELTS, Pulleys & Blades (61")

Model Number: ZT3500

Serial Number: B6J611001 & Above

Ref #	Part #	Description	S/N	Qty
26	4E8	WASHER, Was PN 64006-05, A		1
27	64144-36	RING SNAP		1
28	64141-6	NUT HEX		1
29	59D5	NUT LOCK HEX NYLON, Was PN 64229-02, A		1
30	10C616	BOLT SHRT SQ NK RHD 3/8-16X1 GRD 5, Was PN 64018-44, A		3
31	4163014	SPACER ROUND		1
32	1C612	BOLT, Was PN 64123-15, A		4
33	64270-02	BOLT HEX		1
34	4128002	CAP ASSEMBLY		1
35	7503242	BELT DECK 61 IN, used on EMEA models		1
35	4163569	BELT HB, used on NA models		1

Title: ROPS Kit  
Model Number: ZT3500  
Serial Number: B6J611001 & Above



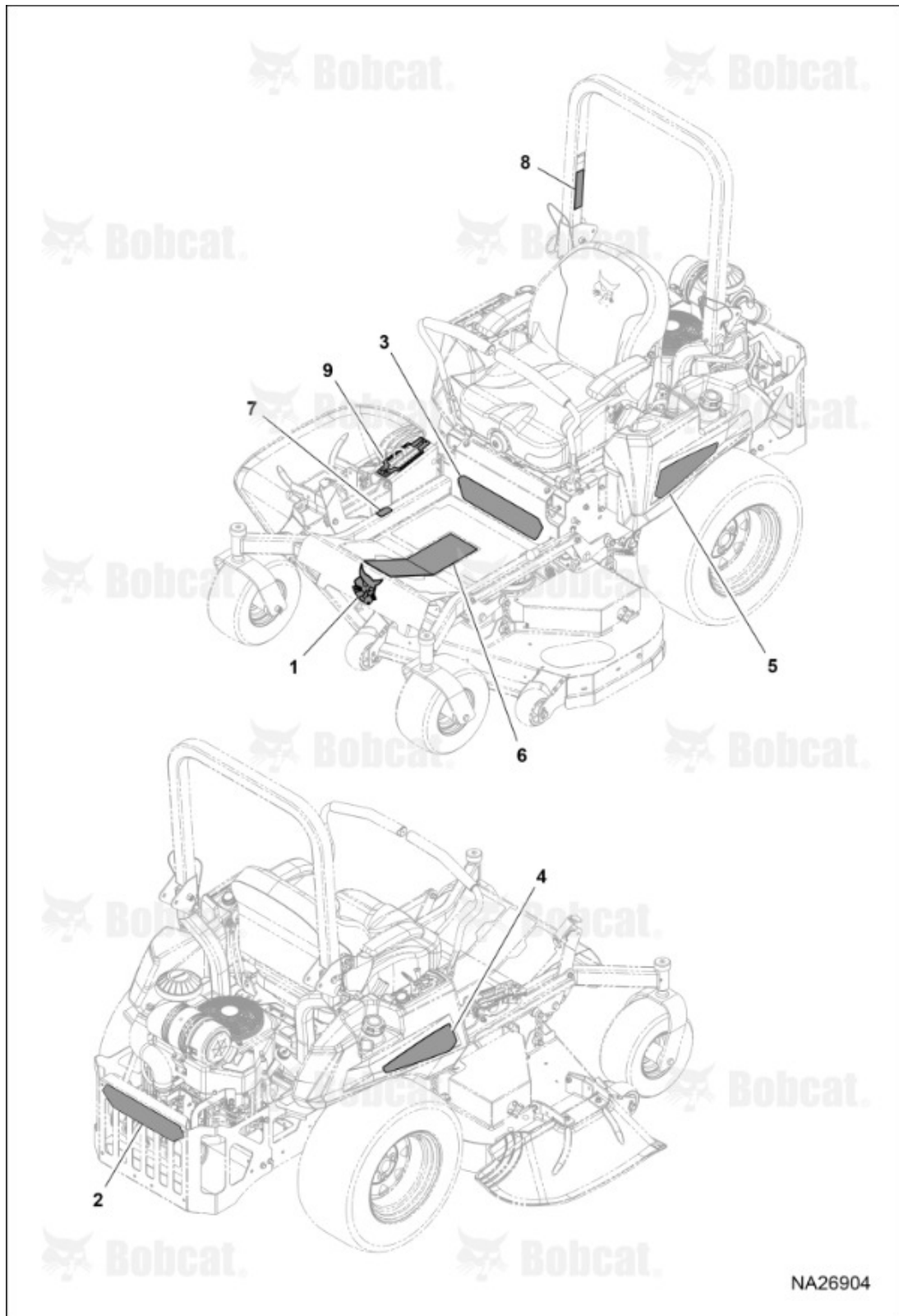
Title: ROPS Kit  
 Model Number: ZT3500  
 Serial Number: B6J611001 & Above

Ref #	Part #	Description	S/N	Qty
1	4178981	ROPS ASSEMBLY, W/Ref. 2-17		1
2	64123-95	BOLT HEX		2
3	64168-1	PIN COTTER		2
4	4160347	DECAL WARNING		1
5	59D8	NUT LOCK HEX NYLON, Was PN 64229-05		2
6	4162879	PIN HITCH		2
7	4162880	LANYARD NYLON		2
8	4160348	WASHER RETAINING		2
9	4162878	WASHER ASSEMBLY		2
10	4160344	PLUG HOLE		2
11	4160343	BUMPER RUBBER		2
12		UPPER ROPS WELDMENT, UPPER ROPS WELDMENT, NSS - Order Ref. 1		1
13		ROPS LOWER LH, ROPS LOWER LH, NSS - Order Ref. 1		1
14		ROPS LOWER RH, ROPS LOWER RH, NSS - Order Ref. 1		1
15	64262-033	BOLT FLANGE		4
16	11D8	NUT LOCK HEX NYLON, Was PN 64268-05		4

Title: Decals (EMEA)(Exterior)

Model Number: ZT3500

Serial Number: B6J611001 & Above



Title: Decals (EMEA)(Exterior)

Model Number: ZT3500

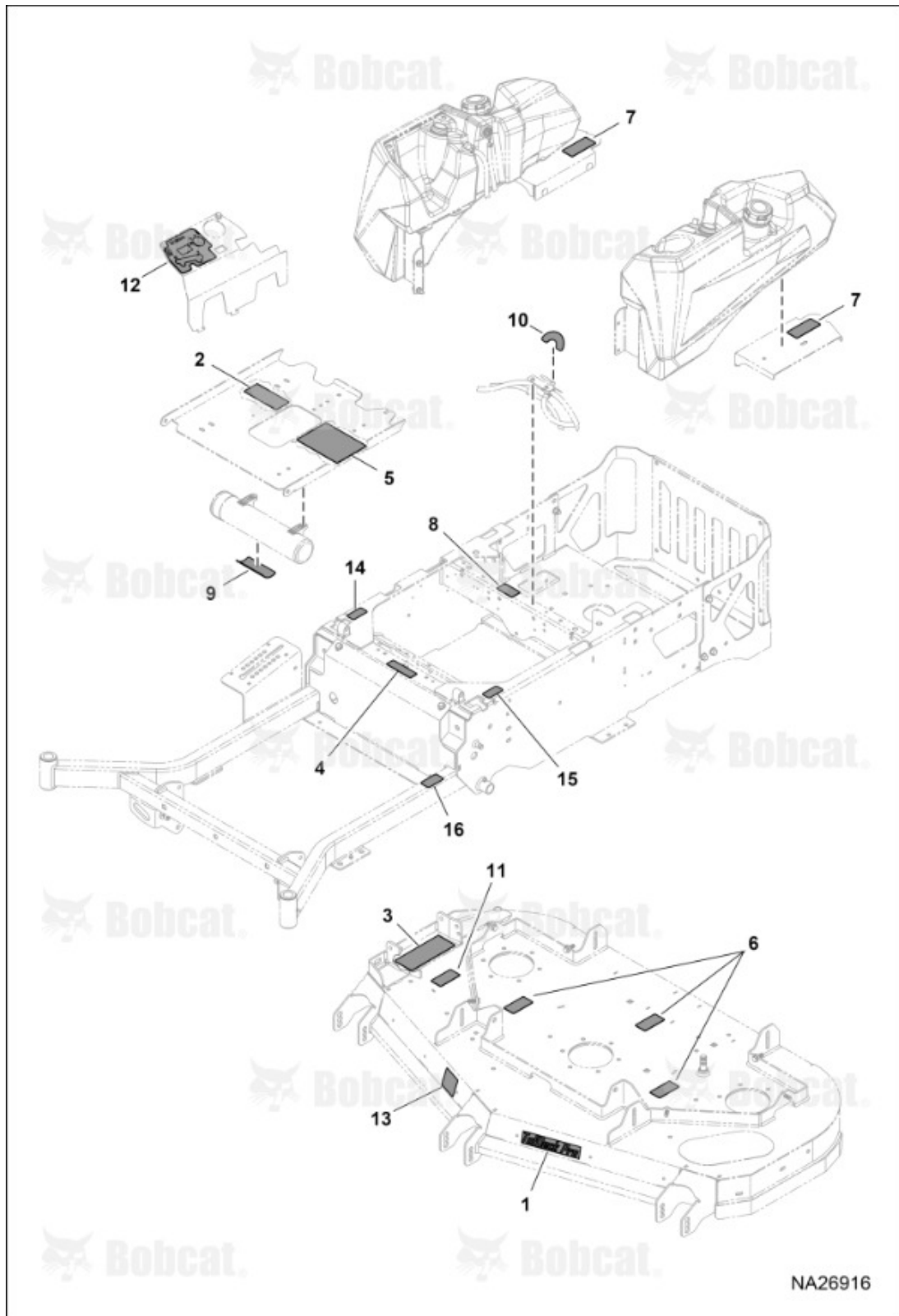
Serial Number: B6J611001 & Above

Ref #	Part #	Description	S/N	Qty
1	4178634	DECAL BOBCAT		1
2	4178637	DECAL BOBCAT		1
3	4178888	DECAL MODEL NUMBER		1
4	4178890	DECAL TANK FUEL		1
5	4178891	DECAL TANK FUEL		1
6	7511897	DECAL WARNING		1
7	7511903	DECAL DECK LIFT		1
8	7511908	DECAL WARNING FOLDING ROPS PICTORIAL		1
9	7511899	DECAL CUT HEIGHT		1

Title: Decals (EMEA)(Deck)(Frame)

Model Number: ZT3500

Serial Number: B6J611001 & Above



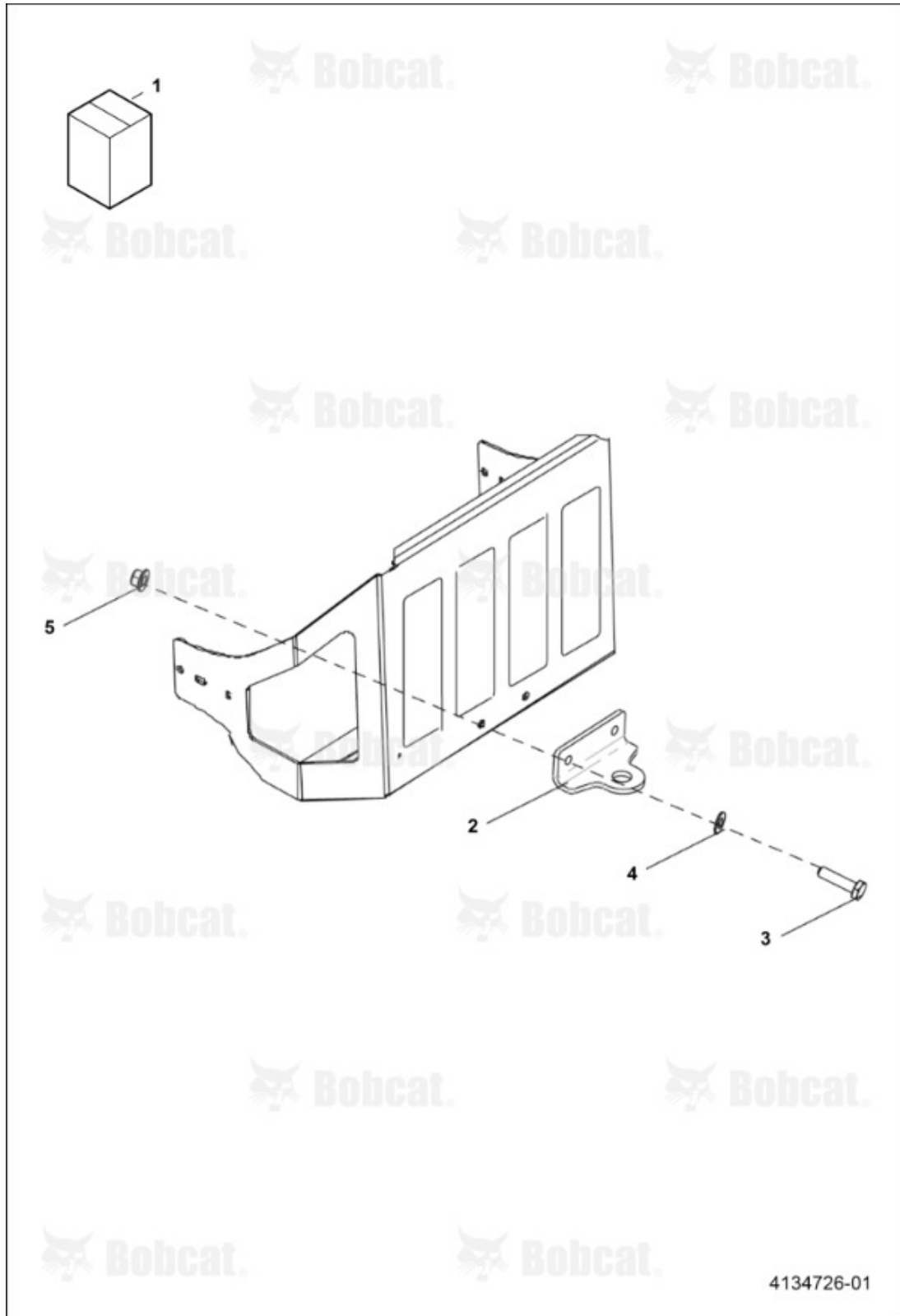
Title: Decals (EMEA)(Deck)(Frame)

Model Number: ZT3500

Serial Number: B6J611001 & Above

Ref #	Part #	Description	S/N	Qty
1	4179348	DECAL TUFDECK		1
2	7179020	DECAL		1
3	7511900	DECAL WARNING		1
4	7511901	DECAL MANUAL LOCATION		1
5	7511902	DECAL BELT DIAGRAM		1
6	7511904	DECAL WARNING		3
7	7511905	DECAL WARNING		2
8	7511906	DECAL BATTERY		1
9	7511907	DECAL MANUAL OPS PICTORIAL		1
10	7511909	DECAL FUEL TANK VALVE		1
11	7524311	DECAL WARNING		1
12	4178922	DECAL CONTROL		1
13	4179352	DECAL DECK SIZE		1
14	4165615	DECAL TRACTION		1
15	4165616	DECAL TRACTION		1
16	7511898	DECAL PARKING BRAKE		1

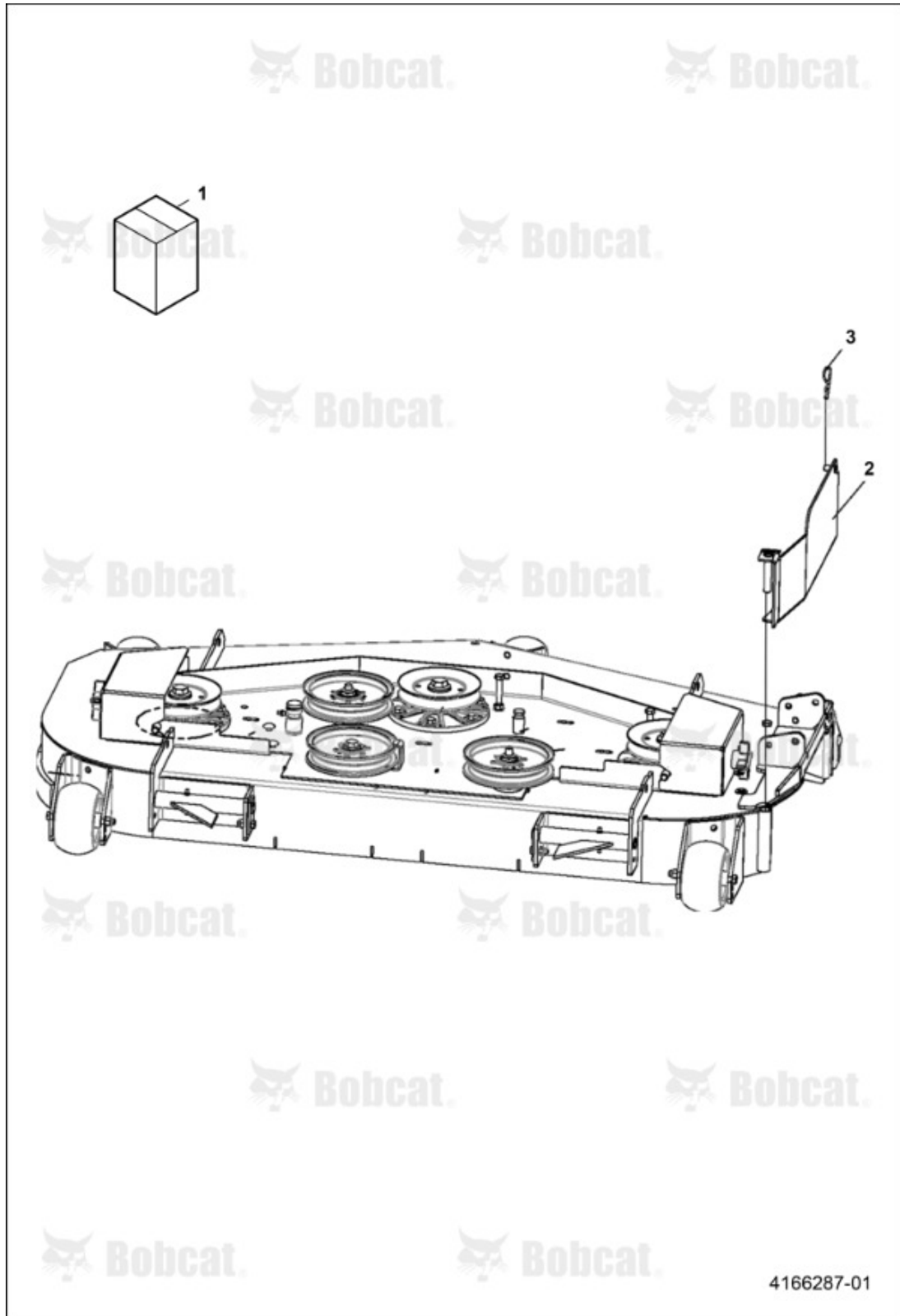
Title: Hitch Kit  
Model Number: ZT3500  
Serial Number: B6J611001 & Above



Title: Hitch Kit  
Model Number: ZT3500  
Serial Number: B6J611001 & Above

Ref #	Part #	Description	S/N	Qty
1	970315	KIT HITCH, Ref. 2-5		1
2	4127695.7	BRACKET HITCH		1
3	35C624	SCREW FLANGED HEAD CAP, Was PN 64262-013, A		2
4	64163-31	WASHER FLAT		2
5	11D6	NUT LOCK HEX NYLON, Was PN 64268-03, A		2

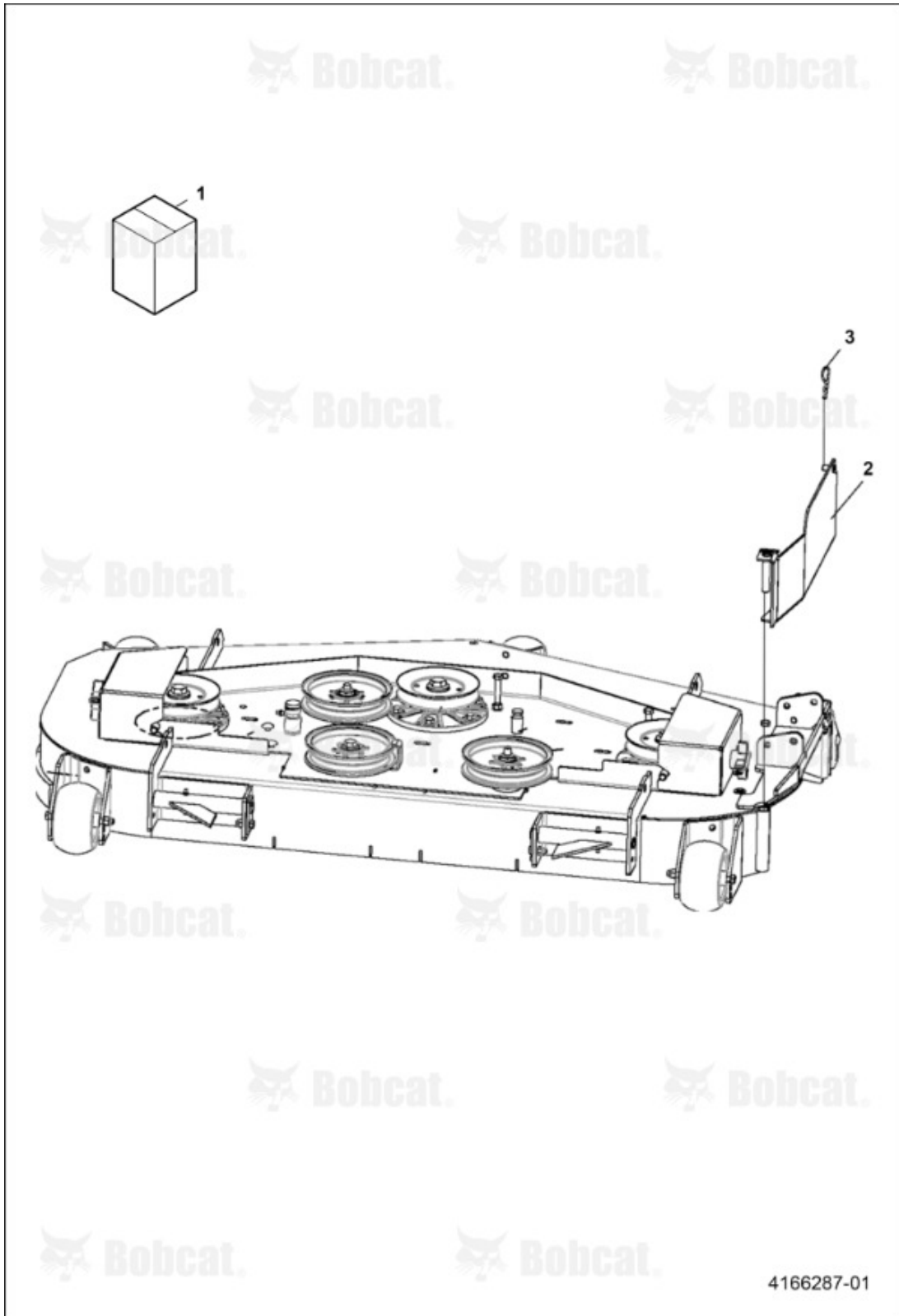
Title: Eco Plate Kit (52")  
Model Number: ZT3500  
Serial Number: B6J611001 & Above



Title: Eco Plate Kit (52")  
Model Number: ZT3500  
Serial Number: B6J611001 & Above

Ref #	Part #	Description	S/N	Qty
1	970404	KIT ECO PLATE 52 IN, Ref. 2 & 3		1
2	4165293.7	PLATE ECO 52		1
3	64168-1	PIN COTTER		1

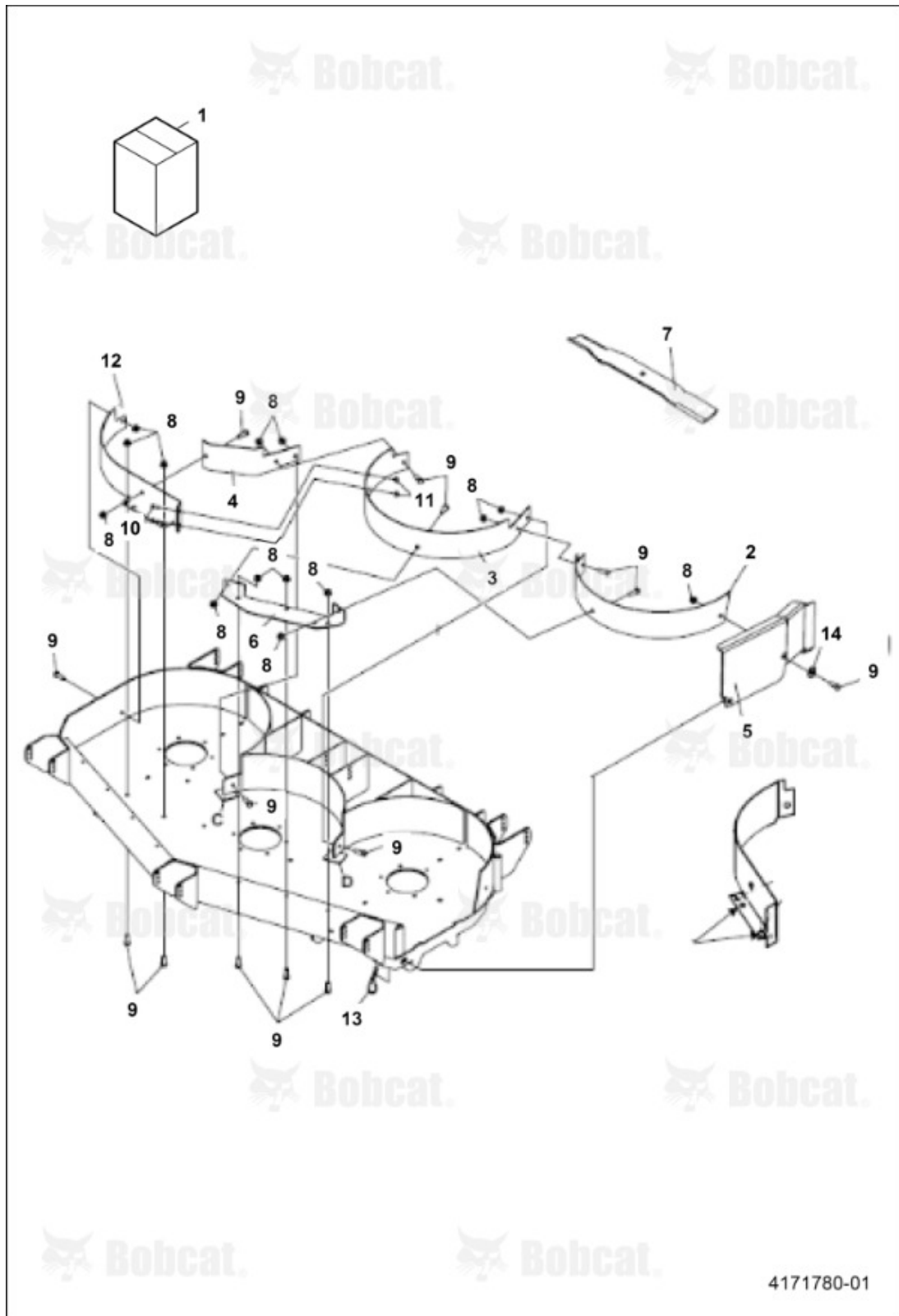
Title: Eco Plate Kit (61")  
Model Number: ZT3500  
Serial Number: B6J611001 & Above



Title: Eco Plate Kit (61")  
Model Number: ZT3500  
Serial Number: B6J611001 & Above

Ref #	Part #	Description	S/N	Qty
1	970405	KIT ECO PLATE 61" G-SERIES, Ref. 2 & 3		1
2		PLATE ECO 61, PLATE ECO 61, NSS - Order Ref. 1		1
3	64168-1	PIN COTTER		1

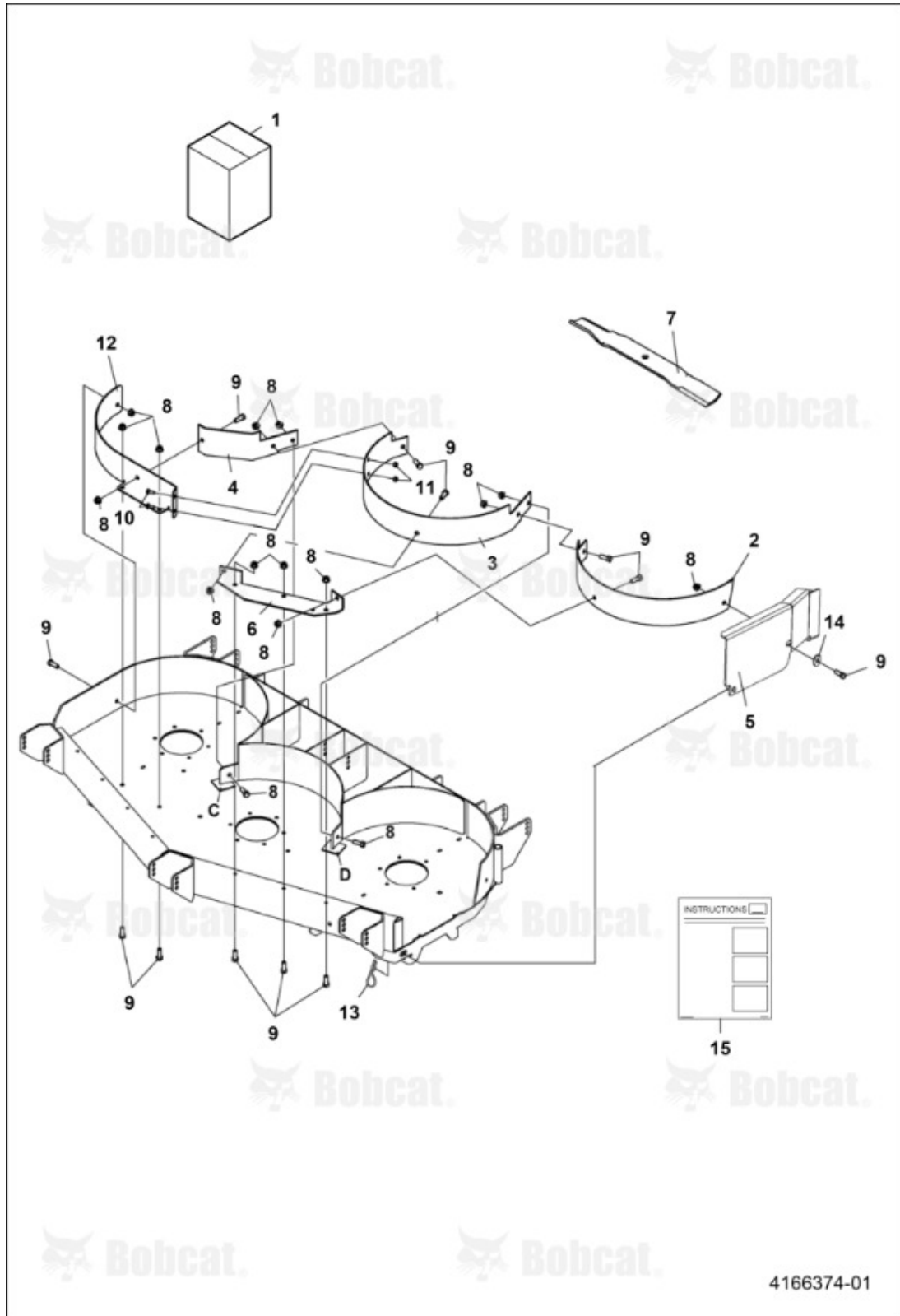
Title: Mulch Kit (48")  
Model Number: ZT3500  
Serial Number: B6J611001 & Above



Title: Mulch Kit (48")  
 Model Number: ZT3500  
 Serial Number: B6J611001 & Above

Ref #	Part #	Description	S/N	Qty
1	970533	KIT MULCH 48 IN G-SERIES, Ref. 2-14		1
2	4114256.7	BAFFLE MULCH RH		1
3	4114254.7	BAFFLE MULCH CENTER		1
4	4114147.7	BAFFLE MULCH LH		1
5	4166963.7	PLATE MULCH		1
6	4177034.7	BRACKET MOUNTING		1
7	2722543-01	BLADE 16.25 ELIMINATOR		3
8	11D6	NUT LOCK HEX NYLON, Was PN 64268-03, A		14
9	1C616	SCREW HEX HEAD CAP, Was PN 64123-50, A		14
10	37C412	BOLT, Was PN 64018-2, A		2
11	59D4	NUT LOCK HEX NYLON, Was PN 64229-01, A		2
12	4177031.7	BAFFLE FRONT LH		1
13	64168-1	PIN COTTER		1
14	64163-31	WASHER FLAT		1

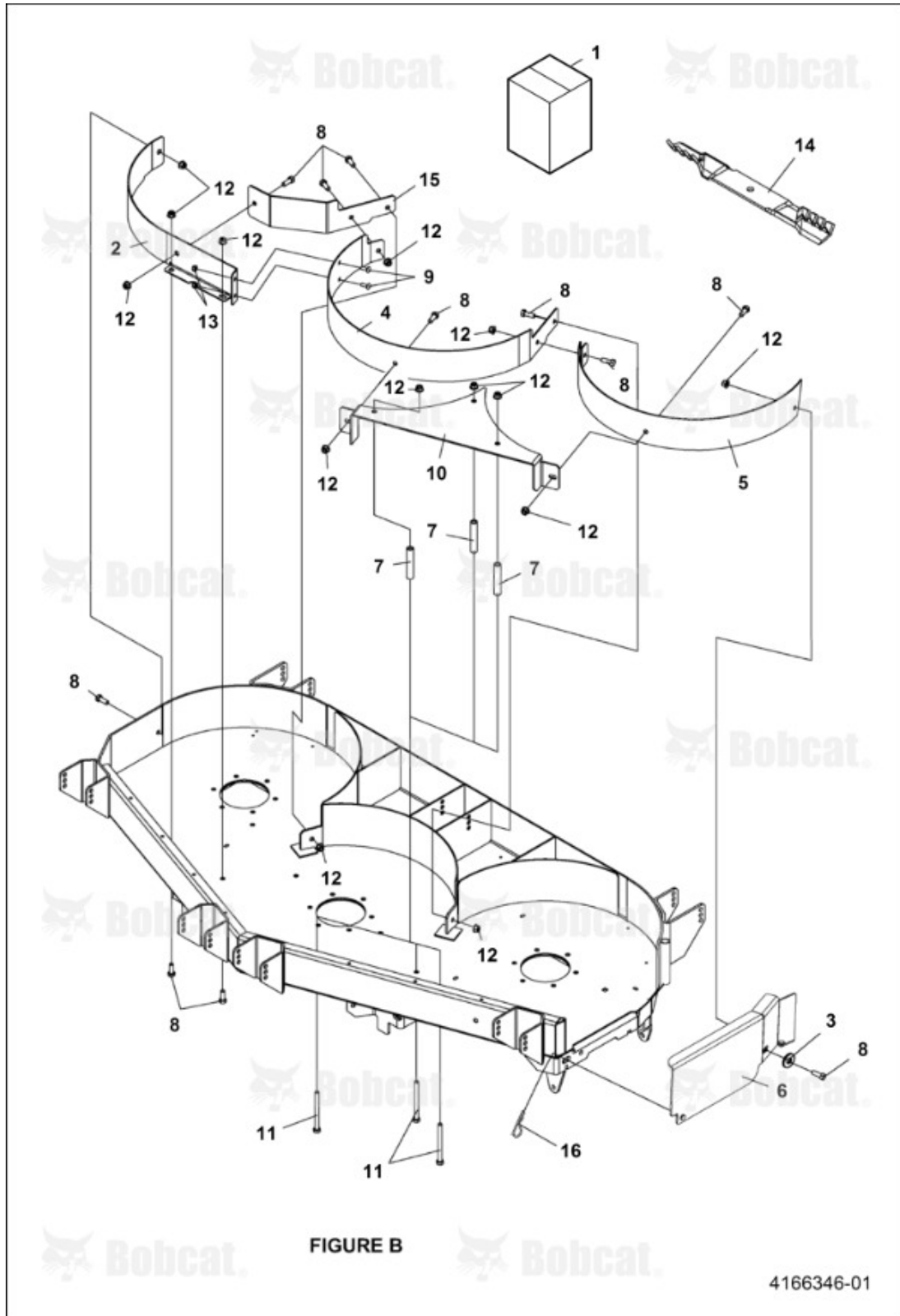
Title: Mulch Kit (52")  
Model Number: ZT3500  
Serial Number: B6J611001 & Above



Title: Mulch Kit (52")  
 Model Number: ZT3500  
 Serial Number: B6J611001 & Above

Ref #	Part #	Description	S/N	Qty
1	970408	KIT MULCH 52 IN, 52" - Ref. 2-14		1
2	4118701.7	BAFFLE MULCH RH		1
3	4118995.7	BAFFLE MULCH CENTER		1
4	4118996.7	BAFFLE MULCH LH		1
5	4166350.7	PLATE DISCHARGE		1
6	4177035.7	BRACKET MOUNTING		1
7	2722543-02	BLADE 18.00 ELIMINATOR		3
8	11D6	NUT LOCK HEX NYLON, Was PN 64268-03, A		15
9	1C616	SCREW HEX HEAD CAP, Was PN 64123-50, A		15
10	37C412	BOLT, Was PN 64018-2, A		2
11	59D4	NUT LOCK HEX NYLON, Was PN 64229-01, A		2
12	4177032.7	BAFFLE MULCH LH		1
13	64168-1	PIN COTTER		1
14	64163-31	WASHER FLAT		1
15	4166374	INSTILLATION INSTRUCTIONS		1

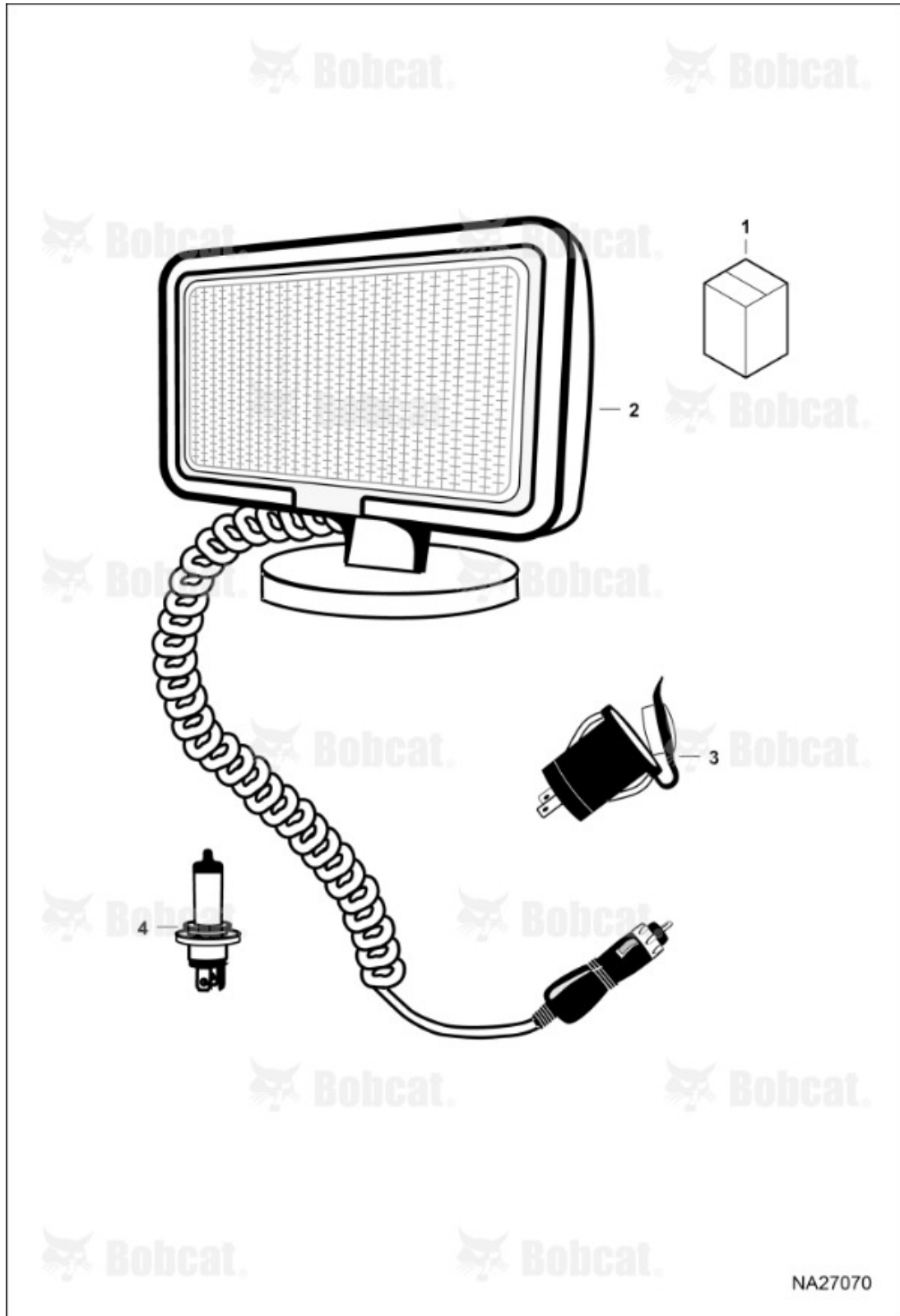
Title: Mulch Kit (61")  
Model Number: ZT3500  
Serial Number: B6J611001 & Above



Title: Mulch Kit (61")  
 Model Number: ZT3500  
 Serial Number: B6J611001 & Above

Ref #	Part #	Description	S/N	Qty
1	970409	KIT MULCH 61 IN, Ref. 2-16		1
2	4117663.7	BAFFLE FRONT LH		1
3	64163-31	WASHER FLAT		1
4	4119684.7	BAFFLE MULCH CENTER		1
5	4119683.7	BAFFLE MULCH RH		1
6	4166347.7	PLATE MULCH		1
7	2720685	SPACER ROLLER		1
8	1C616	SCREW HEX HEAD CAP, Was PN 64123-50, A		1
9	37C412	BOLT, Was PN 64018-2, A		1
10	4118028.7	BRACKET MOUNT		1
11	1C668	SCREW, HEX, Was PN 64123-217, A		1
12	11D6	NUT LOCK HEX NYLON, Was PN 64268-03, A		1
13	11D4	NUT LOCK HEX NYLON, Was PN 64268-01, A		1
14	2722543-03	BLADE 21.00 ELIMINATOR		1
15	4119682.7	BRACKET BAFFLE		1
16	64168-1	PIN COTTER		1

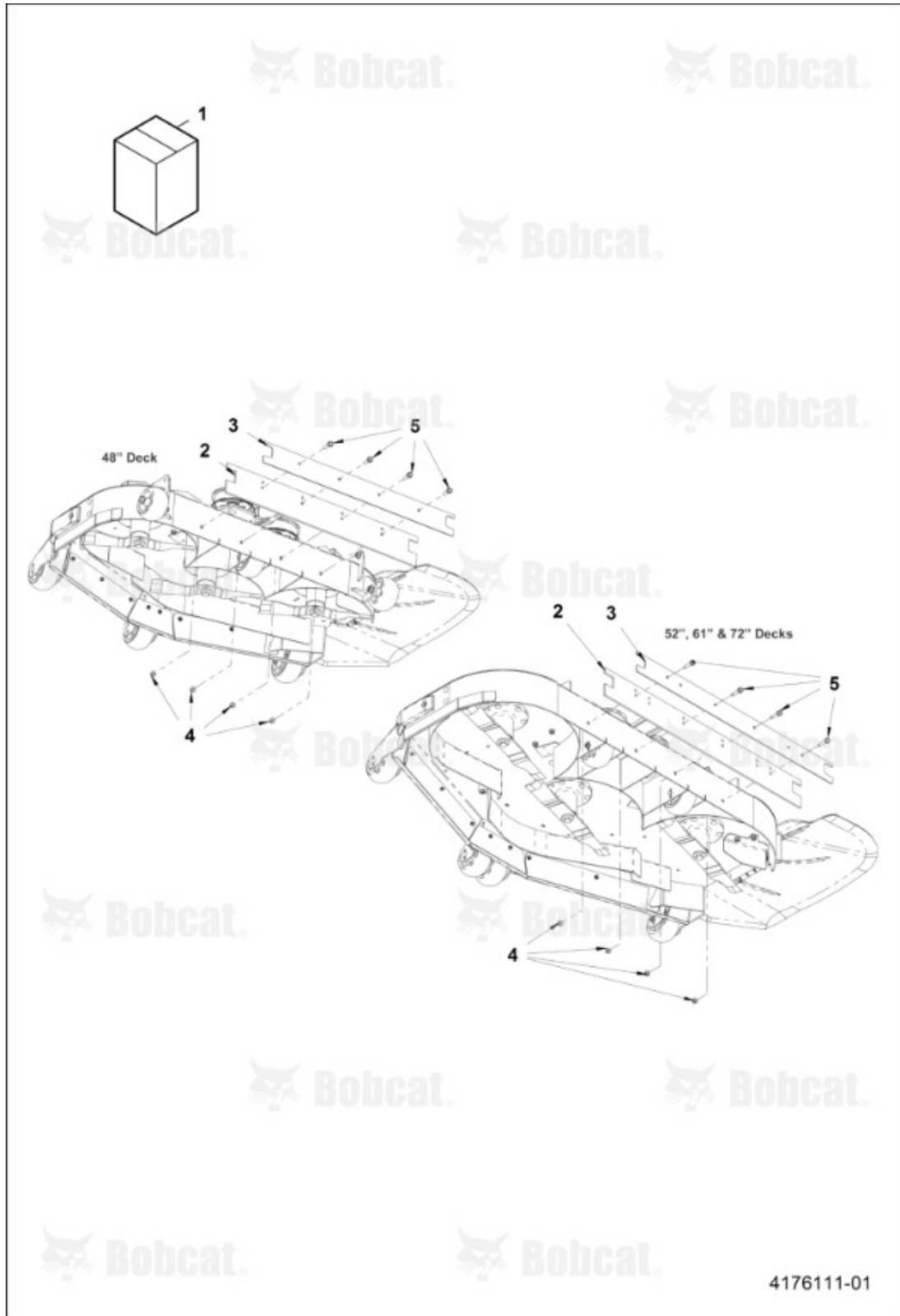
Title: Magnetic Light Kit  
Model Number: ZT3500  
Serial Number: B6J611001 & Above



Title: Magnetic Light Kit  
Model Number: ZT3500  
Serial Number: B6J611001 & Above

Ref #	Part #	Description	S/N	Qty
1	970464	KIT LIGHT, Ref. 2-4 - magnetic		1
2	4164538	LIGHT ASSEMBLY		1
3	4142266	CONNECTOR RECEPTACLE		1
4	4164539	BULB LIGHT		1

Title: Striping Kit (48")  
Model Number: ZT3500  
Serial Number: B6J611001 & Above



4176111-01

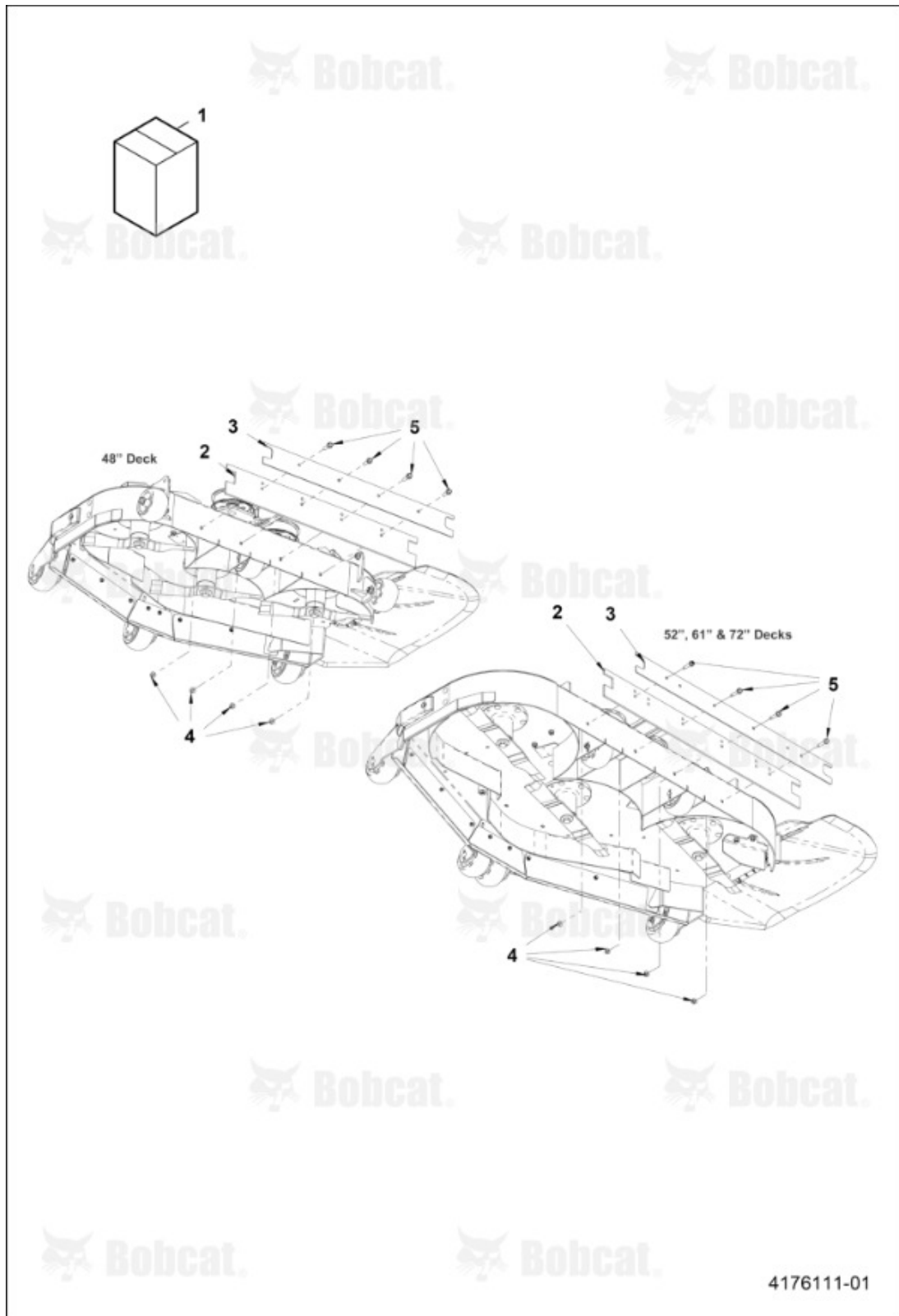
Title: Striping Kit (48")  
Model Number: ZT3500  
Serial Number: B6J611001 & Above

Ref #	Part #	Description	S/N	Qty
1	970592	KIT STRIPING 48 IN, 48" - Ref. 2-5		1
2	4175688	FLAP RUBBER, 48"		1
3	4175689.7	PLATE BACKUP, 48"		1
4	11D6	NUT LOCK HEX NYLON, Was PN 64268-03, A		4
5	64262-012	BOLT FLANGE		4

Title: Striping Kit (52"-72")

Model Number: ZT3500

Serial Number: B6J611001 & Above



Title: Striping Kit (52"-72")

Model Number: ZT3500

Serial Number: B6J611001 & Above

Ref #	Part #	Description	S/N	Qty
1	970593	KIT STRIPING 52-72 IN PC5K-PP7K, 52"-72" - Ref. 2-5		1
2	4175686	FLAP RUBBER, 52"-72"		1
3	4175687.7	PLATE BACKUP, 52"-72"		1
4	11D6	NUT LOCK HEX NYLON, Was PN 64268-03, A		4
5	64262-012	BOLT FLANGE		4



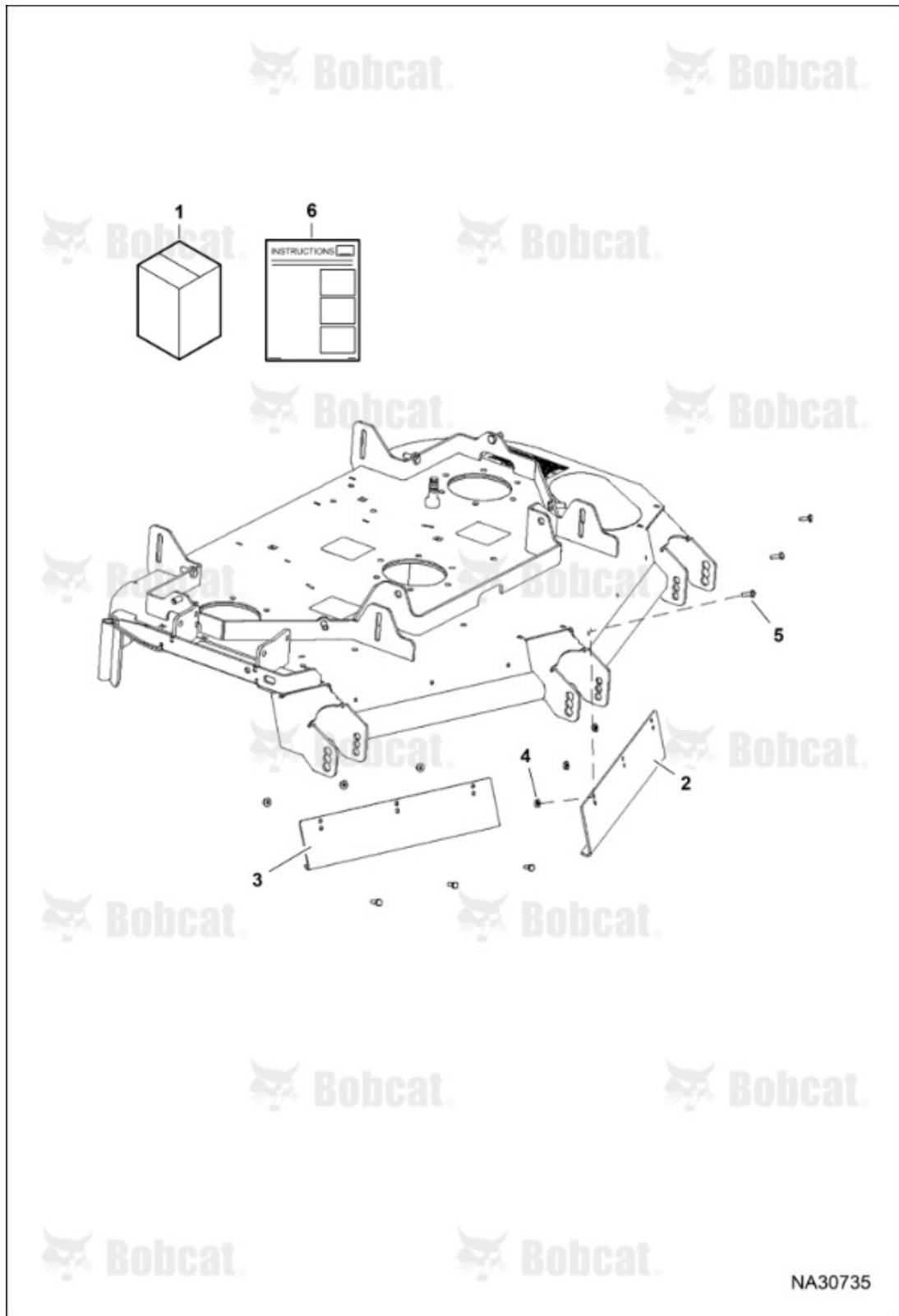
Title: Transaxle Skid Plate Kit

Model Number: ZT3500

Serial Number: B6J611001 & Above

Ref #	Part #	Description	S/N	Qty
1	46947647	KIT TRANSAXLE SKID PLATE, W/Ref. 2-8		1
2	46923273.46	PLATE SKID TRANSAXLE LH		1
3	46923274.46	PLATE SKID TRANSAXLE RH		1
4	46950157	BOLT FLANGE HEX 3/8-16 X 2 3/4		4
5	11D5	NUT LOCK HEX NYLON		2
6	11D6	NUT LOCK HEX NYLON		4
7	31C532	BOLT		2
8	46924849ENUS	INSTRUCTION SHEET MOWER SKID PLATE		1

Title: Adjustable Lip Kit  
Model Number: ZT3500  
Serial Number: B6J611001 & Above



Title: Adjustable Lip Kit  
 Model Number: ZT3500  
 Serial Number: B6J611001 & Above

Ref #	Part #	Description	S/N	Qty
1	7458574	KIT LIP ADJUSTABLE 36IN		1
1	7458572	KIT LIP ADJUSTABLE 48IN		1
1	7458570	KIT LIP ADJUSTABLE 52IN		1
1	7460963	KIT LIP ADJUSTABLE 61IN		1
2	7448728.46	BRACKET ADJUSTING, LH - 36"		1
2	4178508.46	BRACKET ADJUSTING, LH - 48"		1
2	4178438.46	BRACKET ADJUSTING, LH - 52"		1
2	4178778.46	BRACKET ADJUSTING, LH - 61"		1
3	7448727.46	BRACKET ADJUSTING, RH - 36"		1
3	4178507.46	BRACKET ADJUSTING, RH - 48"		1
3	4178437.46	BRACKET ADJUSTING, RH - 52"		1
3	4178779.46	BRACKET ADJUSTING, RH - 61"		1
4	64123-89	BOLT HEX		6
5	64141-2	NUT WELD		6
6	7460965ENUS	INSTRUCTIONS INSTALL		1